



DMS700 V2 MULTICHANNEL SETUP GUIDE
SCHEMATIC & PART LIST 1-32 CHANNEL



Introduction

The following schematics will help you to easily set up multi channel systems.

Please use the equipment that is specified in the schematics only.

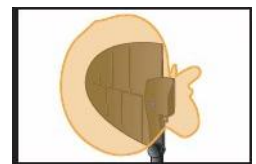
For your convenience and understanding, we've added technical information and part lists.

You can use this part lists when ordering the system you require! If you need any help regarding the frequency regulations or if your particular situation doesn't allow the installation of a standard system, please do not hesitate to contact us at sales@akg.com.

All the DMS700 Systems in this document are designed with active antennas that can used in all venues with a 20m RG58 antenna cable.

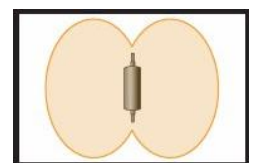
SRA2 B/W active directional antenna

For venues (tour sound & installs) cover a large area (up to 150m, 500ft) like music halls, stadiums and other open air applications.



RA4000 B/W active omni-directional antenna

For venues without a designated transmitter area and up to 100m/330ft (free viewing direction). Ideal for conference rooms, multi purpose halls, houses of worship etc.



Content

General Information			Page
Receiver/Antenna Placement	Information		4
Squelch	Information		4
Intermodulation	Information		4
HUB4000Q - HiQnet System Architect	Information		5
Cable Attenuation	Information		6
PS4000 dip switch	Information		6
AB4000 dip switch	Information		6
PS4000 dip Switch Matrix	Information		7
Required Component Matrix	Information		8
Glossar	Information		9

WMS System	Antenna Type		Page
2 Channel	SRA2 B/W	Schematic / Part List	11
2 Channel	RA4000 B/W	Schematic / Part List	13
4 Channel	SRA2 B/W	Schematic / Part List	15
4 Channel	RA4000 B/W	Schematic / Part List	17
8 Channel	SRA2 B/W	Schematic / Part List	19
8 Channel	RA4000 B/W	Schematic / Part List	21
10 Channel	SRA2 B/W	Schematic / Part List	23
10 Channel	RA4000 B/W	Schematic / Part List	25
12 Channel	SRA2 B/W	Schematic / Part List	27
12 Channel	RA4000 B/W	Schematic / Part List	29
16 Channel	SRA2 B/W	Schematic / Part List	31
16 Channel	RA4000 B/W	Schematic / Part List	33
18 Channel	SRA2 B/W	Schematic / Part List	35
18 Channel	RA4000 B/W	Schematic / Part List	37
24 Channel	SRA2 B/W	Schematic / Part List	39
24 Channel	RA4000 B/W	Schematic / Part List	41
32 Channel	SRA2 B/W	Schematic / Part List	43
32 Channel	RA4000 B/W	Schematic / Part List	45
32 Channel	CU 700 System	Schematic	47

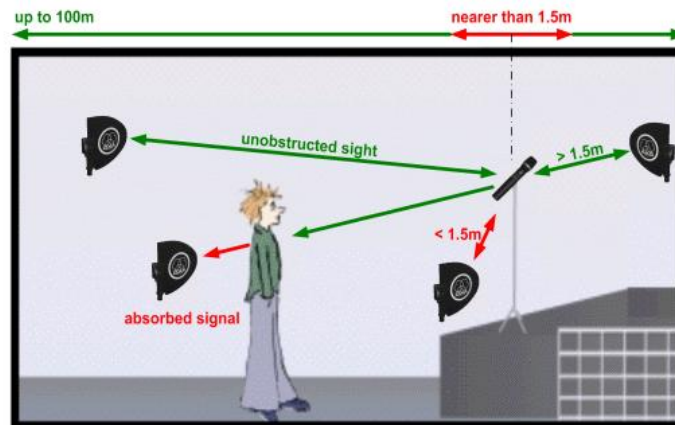
Technical Information

Wireless Basics

- Every wireless microphone system has to operate on **one** specific frequency
- Transmitter and receiver of a system need to work on the **same** frequency
- Two transmitters **cannot** be used with the same frequency at the same time

Receiver/Antenna Placement

- Direct line of sight between transmitter and receiver antenna
- Keep the receiver/antennas at least 5 ft. (1.5 m) away from all transmitters
- Keep the receiver antennas at least 5 ft. (1.5 m) away from any big metal object, wire (particularly wire mesh) or sheet metal structures, walls, ceilings, etc.
- Do not place the antennas in closed areas (behind walls)
- Place the receiver at least 5 ft. (1.5 m) away from any equipment that may emit RF radiation such as lighting racks, fluorescent lamps, digital effect units, or PCs



Squelch

- DMS 700 has a variable squelch level. This level depends on the RF-environment and is adjusted automatically in order to ensure best quality in the range of operating.
 - The audio turns on only in the presence of an DMS700 transmitter with the correct encryption key and an adequate signal quality
 - If received signal has a bad quality or can not decrypted the audio output is muted

Intermodulation

Intermodulation is the result of two or more signals of different frequencies being mixed together, forming additional signals that are not harmonic frequencies of either.

By using more than one transmitter simultaneously at the same location, intermodulation happens in the receiver and/or transmitter. These intermodulation products are generated in the bandwidth that you are using.

To avoid intermodulating frequencies, we offer pre-calculated frequencies as presets in the DSR700 Receiver. Please, make sure that when setting up a multi channel system, all your receivers are set to the same country preset (NAME) and group. Use the Quick Setup (automatic setup) to scan for free frequencies in your venue.

HUB 4000 Q

The HUB 4000 Q adds HiQnet functionality to an AKG wireless system (DSR 700, SR 4500, SST 4 and upcoming devices are supported). For large wireless systems multiple HUB 4000 Q's can be used and controlled from a single computer. With connecting the HUB 4000 Q to a HiQnet network the user is able to monitor and control an AKG wireless system from a computer running System Architect.

HiQnet System Architect

The simple and easy to use user interface of the HUB 4000 Q plug in within System Architect allows the user to setup and configure the wireless system easy and fast with tools like Auto Setup, Environment Scan, RF Monitor and Device Manager.

HiQnet System Architect also allows custom configuration of custom made user interfaces which makes it a perfect tool for installed sound and tour sound applications.

Today's HiQnet system is built from flagship products from Harman Pro brands AKG Acoustics, BSS Audio, Crown International, dbx Professional, JBL Professional, Lexicon Pro, Soundcraft and Studer.

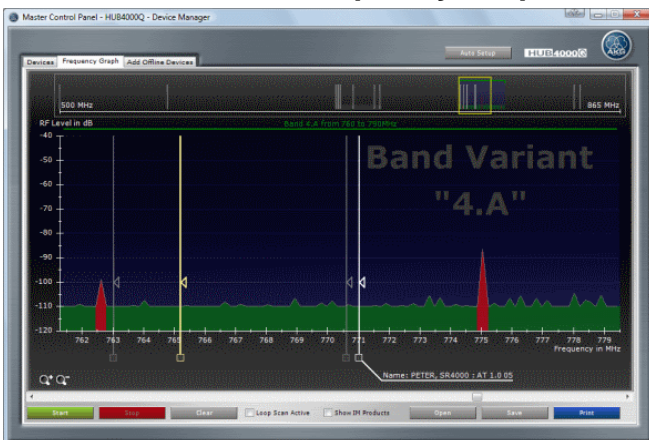
AKG User Interface



Features

- automatic identification of all HUB4000Q's
- Simple and easy to use channel-oriented user interface
- Fast and intuitive setup and configuration of frequency management with **1-Click Setup**, Enviroment Scan and Device Manager
- Offline configuration
- Save and load your setup

Enviroment Scan - Frequency Graph



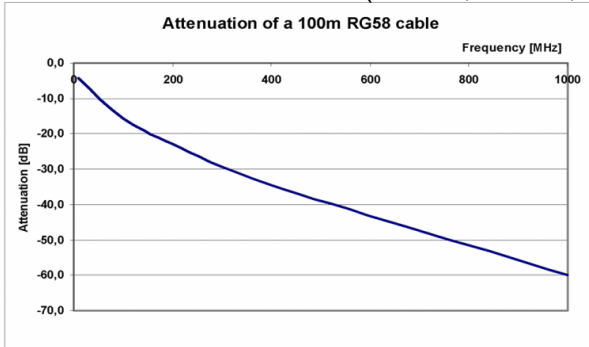
Device Manager – Frequency Management

Node Name	Device Name	Type	Band Var.	Locate	Country	Group	Channel	Frequency	Optional	Status	Send To	Receive From	Scan
Node Name : SW 01a LOW BAND (5 items)													
	HYRANE	SR4000	4.A	Locate	AT	2.0	2	763,000	-100dB	ONLINE	Send To	Receive From	
	YRBE	SR4000	4.A	Locate	AT	2.0	2	763,500	-100dB	ONLINE	Send To	Receive From	
	NICK	SR4000	4.A	Locate	AT	2.0	4	763,000	-100dB	ONLINE	Send To	Receive From	
	PETER	SR4000	4.A	Locate	AT	2.0	5	771,000	-100dB	ONLINE	Send To	Receive From	
Node Name : SW 01a HIGH BAND (2 items)													
	HYRANE	SR4000	2	Locate	AT	2.0	2	681,250	-100dB	ONLINE	Send To	Receive From	
	SAX	SR4000	2	Locate	AT	2.0	3	681,630	-100dB	ONLINE	Send To	Receive From	
Node Name : SW 01a TOP BAND (8 items)													
	JACK	SST4	7.00	Locate	US	7.0	2	500,150	20mW	ONLINE	Send To	Receive From	
	CHRIS	SST4	6.00	Locate	US	6.4	1	575,150	20mW	ONLINE	Send To	Receive From	
	STEVE	SST4	6.05	Locate	AT	6.4	2	635,150	20mW	ONLINE	Send To	Receive From	
	ALEX	SST4	6.05	Locate	AT	6.4	2	638,900	20mW	ONLINE	Send To	Receive From	
	GUIT	SR4000	2	Locate	AT	2.0	4	683,050	-100dB	ONLINE	Send To	Receive From	
	BASS	SR4000	2	Locate	AT	2.0	5	692,050	-100dB	ONLINE	Send To	Receive From	
	VOYS	SR4000	2	Locate	AT	2.0	6	704,650	-100dB	ONLINE	Send To	Receive From	
	PERC	SR4000	2	Locate	AT	2.0	7	708,650	-100dB	ONLINE	Send To	Receive From	

Cable Attenuation

To obtain the best sound possible, you need to have the right RF input level throughout your signal chain. Premium quality wireless systems like the DMS700, offer you adjustable RF-level settings that guarantee to maximise operating distance even when using different cable lengths and different types of cable! For this purpose, AKG's PS4000W antenna splitter, has 3 dip switches that you'll find on the right side of its front panel, behind the AKG logo.

RG58 Cable Attenuation (MKPS, MKA5, MKA20 antenna cable)

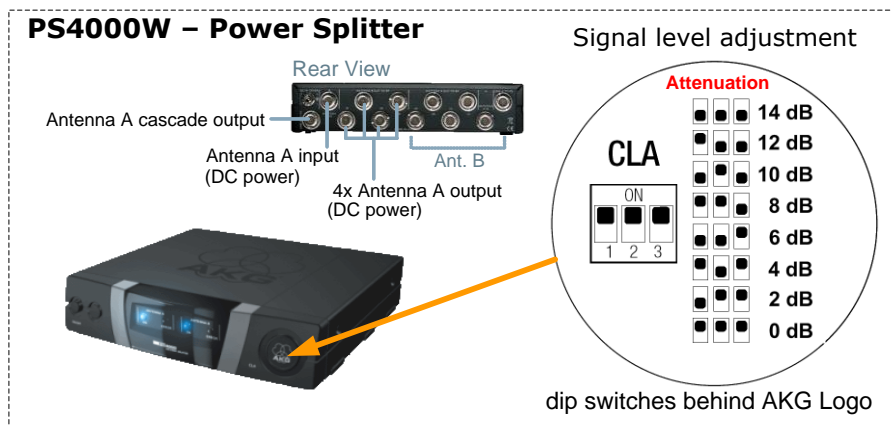


frequency MHz	Dämpfung dB/100m	Dämpfung dB/1m
650	-45,13	-0,45
700	-47,25	-0,47
750	-49,38	-0,49
800	-51,50	-0,52
850	-53,63	-0,54

~50dB/100m

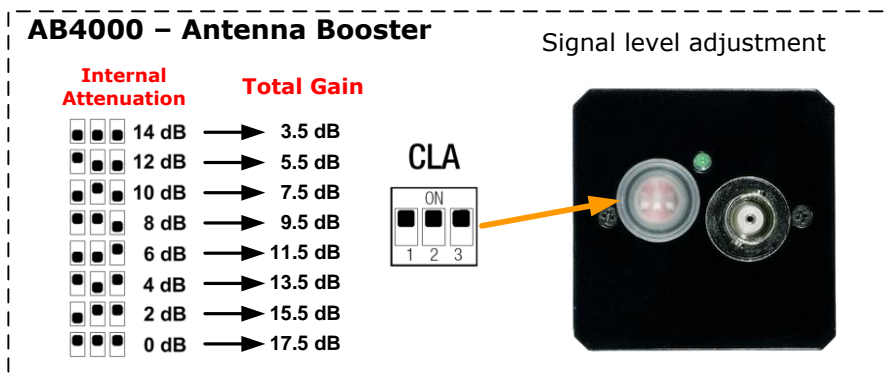
PS4000 dip switch

These switches reduce the input RF level of the antenna input between 0 dB and 14 dB. Levels of all antenna outputs and the cascade (link) output will be reduced.








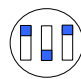


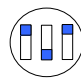
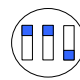
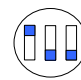
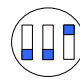
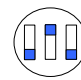
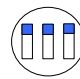
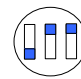

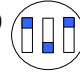
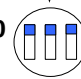
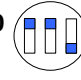
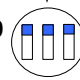





AB4000 dip switch

The AB4000 has a fix 17.5dB amplifier in the output stage. The dip switches reduce the input RF level of the AB4000 from 0 dB and -14 dB. AB4000 gets the DC power from the PS4000W or an ASU4000 unit via the antenna cable



PS4000 W dip switch matrix (RG58 cable)

Antenna type & Gain Cable type & Length	Passiv Antennas			Active Antennas	
	 1/4 wave UHF Antenna 0 dB	 RA4000 W 1 dB	 SRA2 W 4-6 dB	 RA4000 BW 17 dB	 SRA2 BW 21.5 dB
MKPS 0.65m / 2ft	0 dB 	0 dB 	-4 dB 		
MKA 5 5m / 16ft	0 dB 	0 dB 	-2 dB 		
MKA 20 20m / 66ft				-8 dB 	-12 dB 
MKA 5 + MKA 20 25m / 82ft				-6 dB 	-10 dB 
2x MKA 20 40m / 132ft				0 dB 	-2 dB 
3x MKA 20 60m / 198ft Antenna Booster AB4000 necessary !				RA4000 BW ↓ 2x MKA 20 ↓ AB4000 0 dB  ↓ 1x MKA 20 ↓ PS4000 -4 dB 	SRA2 BW ↓ 2x MKA 20 ↓ AB4000 0 dB  ↓ 1x MKA 20 ↓ PS4000 -8 dB 
4x MKA 20 80m / 264ft Antenna Booster AB4000 necessary !				RA4000 BW ↓ 2x MKA 20 ↓ AB4000 0 dB  ↓ 2x MKA 20 ↓ PS4000 0 dB 	SRA2 BW ↓ 2x MKA 20 ↓ AB4000 0 dB  ↓ 2x MKA 20 ↓ PS4000 0 dB 

You have to use these PS4000 W dip switch settings for all PS4000 W **directly connected to antennas**.

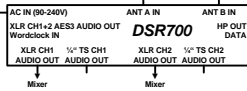
All PS4000 W connected to a PS4000 W link output (cascade) have dip switch setting ON/ON/ON (0dB)



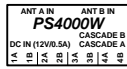
DMS700 Component Matrix

DMS700 Channel	DMS Receiver	2x Antennas (e.g. SRA2 B/W or RA4000 B/W) 2x MKA 20 (see PS4000W dip switch matrix) plus...								
		Antenna Components			Power Supplies		PC Monitoring with System Architect			
		PS4000	ZAPD-21	MKPS	PSU4000	AC12 2000mA	HUB4000Q	PSU4000	AC12 500mA	
4	2	1	0	4	0	1	1	0	1	
6	3	1	0	6	0	1	1	0	1	
8	4	1	0	8	0	1	1	0	1	
10	5	1	0	10	0	1	1	0	1	
12	6	2	0	14	0	2	1	0	1	
14	7	2	0	16	0	2	1	0	1	
16	8	2	0	18	0	2	1	0	1	
18	9	2	0	20	0	2	2	0	2	
20	10	3	0	24	1	0	2	0	2	
22	11	3	0	26	1	0	2	0	2	
24	12	3	0	28	1	0	2	0	2	
26	13	3	0	30	1	0	2	0	2	
28	14	4	2	36	2	0	2	0	0	
30	15	4	2	38	2	0	2	0	0	
32	16	4	2	40	2	0	2	0	0	
36	18	4	2	44	2	0	3	0	1	
40	20	5	2	54	2	0	3	0	2	
48	24	6	2	64	2	0	3	1	0	

Glossar



DSR700 – DMS700 Stationary Receiver

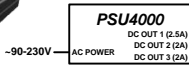


PS4000W – Power Splitter 1:4 (Distribute RF signal and DC Power)

- Splits 1 antenna to 4 receiver
- Antenna cascade(Link) output to send RF-Signal to next PS4000.

Cascade max. 3 PS4000.

If you need more than 12 channels use an ZAPD in front of the first PS4000.



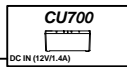
PSU4000 – Power Supply Unit with 3x 12 volt outputs (2.5A and 2A)



SRA2 B/W – Active Directional Antenna (21.5 dB Gain)



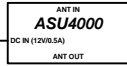
RA4000 B/W – Active Omni-directional Antenna (17 dB Gain)



CU700 – Charging Unit for DHT700 or DPT700 (2 transmitter / unit)

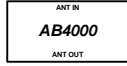


ZAPD-21 – Passive Combiner 2:1 and 1:2



ASU4000 – Antenna Supply Unit

- Supplies up to three active elements (RA4000BW, SRA2BW, AB4000)



AB4000 – Antenna Booster

- 3.5 dB – 17.5 dB amplifier



HUB4000Q – Network Concentrator for 8 devices (DSR700, SR4000, SR4500 or SST4)

- Operate with Harman „System Architect“ software - <http://hiqnet.harmanpro.com>

Cable

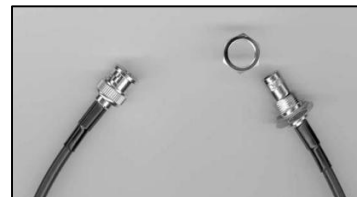
MKPS – 0.65m/2 feet RG58 antenna cable

MKA5 – 5m/16ft RG58 antenna cable

MKA20 – 20/66ft RG58 antenna cable

0110E01890 – Front mount cable

- Install ¼ wave antennas at the front of the rack



Front mount cable & ¼ wave antenna

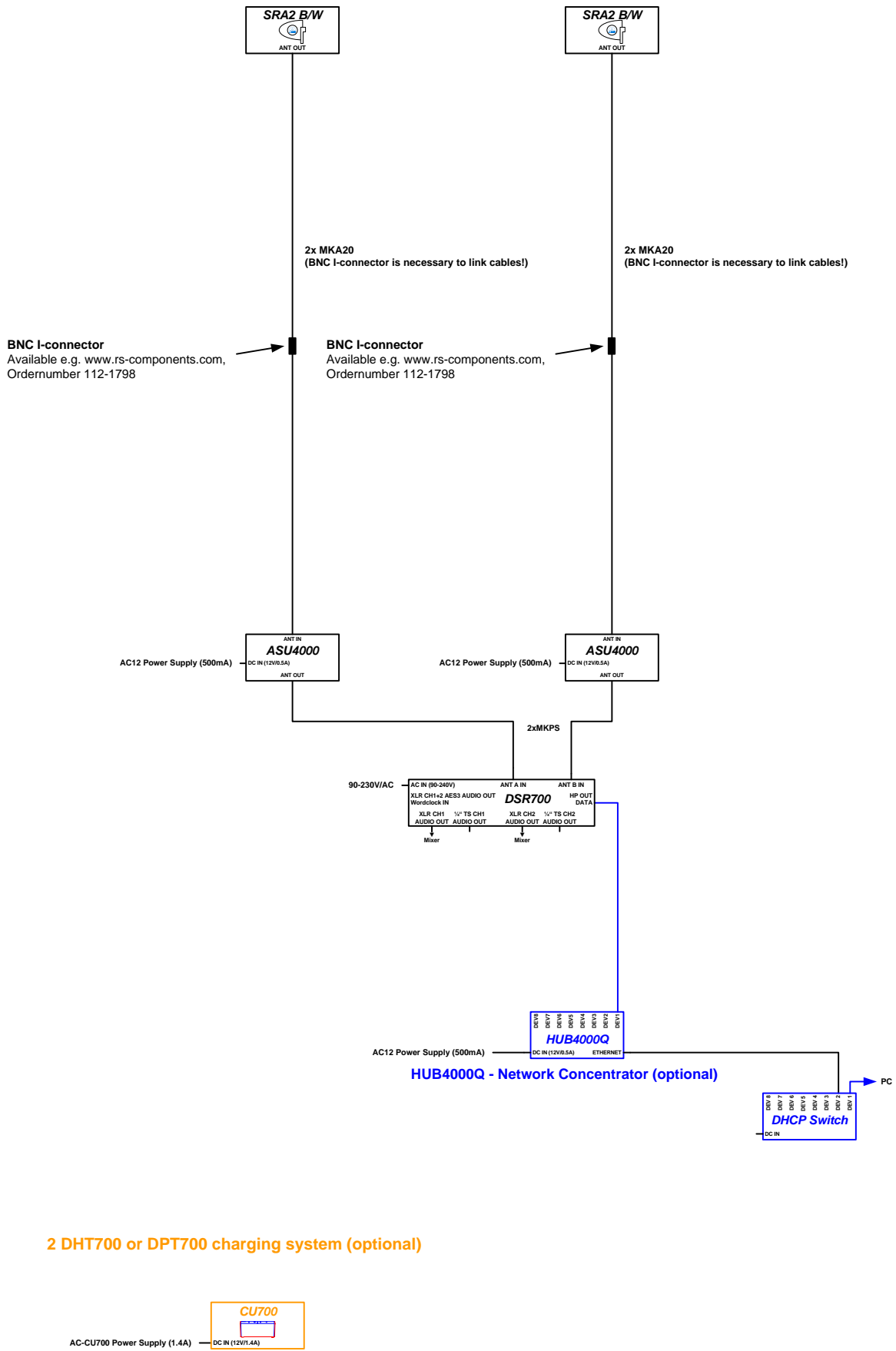


DMS700 V2
01 / 2012





2 Channel DMS700 System With directional antennas & 40m antenna cable (132 feet)



Date	23.01.2012	Revision	1.0
Designer	Wolfgang Fritz	Ref.No.	MCS0802001
Project	2 channel DMS700 system (SRA2 B/W – Antennas)		



2 Channel DMS700 System with directional antennas

units	description	comment
1	DSR700	19"-rack receiver, internal power supply; (frequency range 548.1 to 697.9 MHz or 710.1 to 864.9 MHz); 2 UHF antennas; 1 IEC cable US, 1 IEC cable EU
2	DHT700 or DPT700	Hand-held transmitter or Bodypack transmitter; (frequency range 548.1 to 697.9 MHz or 710.1 to 864.9 MHz); stand adapter or belt clip; 2 AA size dry batteries, Colour Coding Kit and Windscreen
2	ASU4000 (BNC/none)	Antenna Supply unit for long antenna cables (BNC connector) without AC-Adapter
2	AC12 500mA EU/US/UK	12V AC-Adapter for 1 ASU4000, AB4000, HUB4000 Q, SR450/470 or SR4500.
2	MK PS	Connecting cable for PS to SR 2.15ft (65cm)
2	SRA2 B/W	External directional active "paddle" antenna with amplifier (2 req.)
4	MKA 20	66 ft. (20m) Cables for connecting ext. antennas to multi-couplers (2 req.) KOAX RG58
2	BNC I-connector	EXTERNAL !! Not available at AKG - BNC I-Connector (you can buy it at www.rs-components.com , Ordernumber 112-1798)

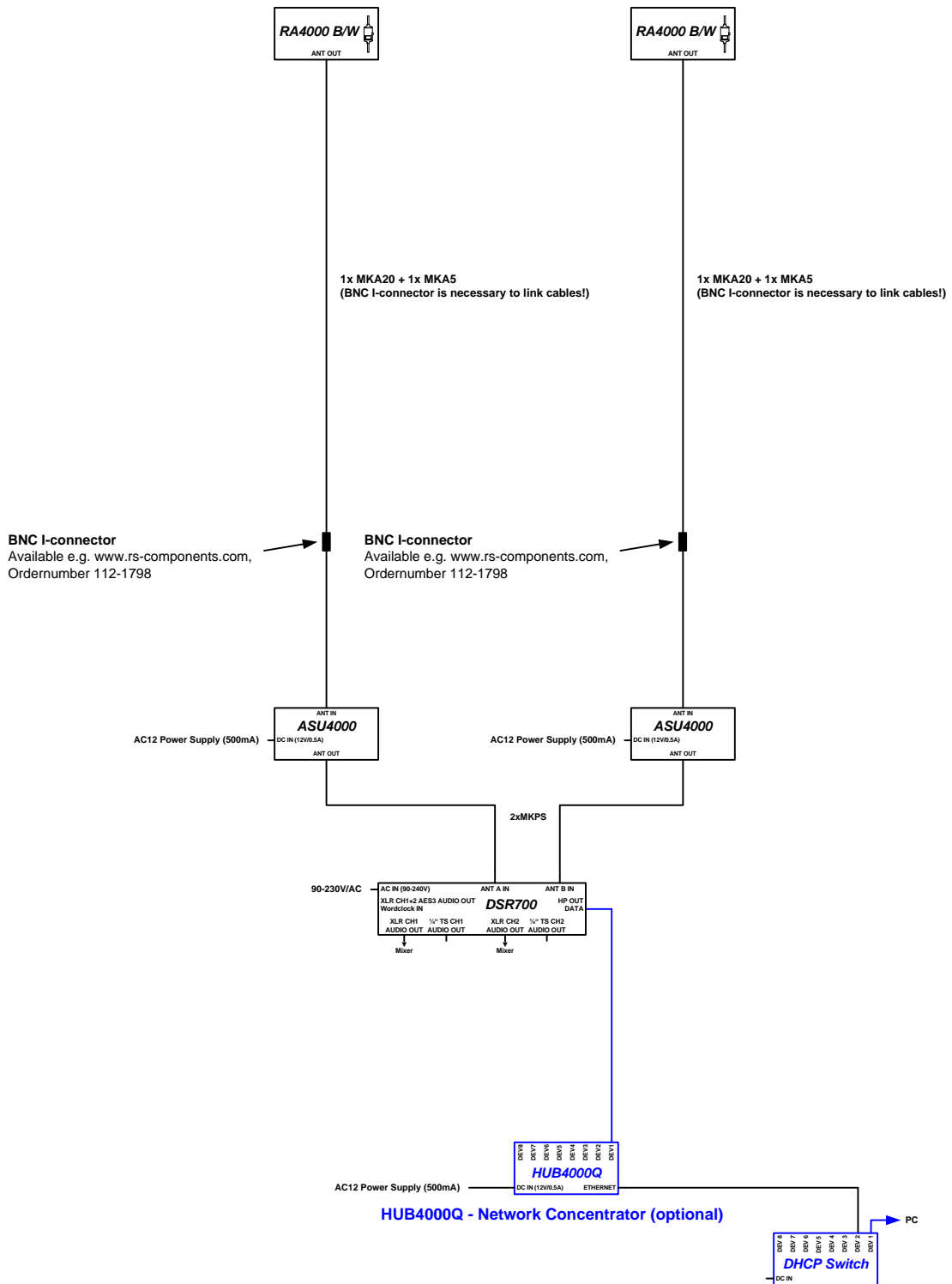
Optional Components (Charging System & PC Control System)

units	description	comment
1	CU700	Twin charger + 2 AA size rechargeable batteries for DHT 700 or DPT 700 transmitter; with AC Adapter
1	HUB4000 Q / none	Network concentrator without AC-Adapter; of 8 systems
1	AC12 500mA EU/US/UK	12V AC-Adapter for 1 ASU4000, AB4000, HUB4000 Q, SR450/470 or SR4500.
1	DHCP Net Switch + CAT5 Cable	EXTERNAL !! Not available at AKG - for 4 input to 1 output (e.g. D-Link)

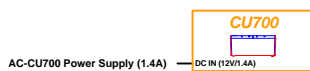
Do not forget microphone head, headset or other microphone !!

DPT 700: e.g. C555L, C520ML, C516ML, C518ML, C519ML, HC577 WR-L, CK77 WR-L, CK99L, C411L, C417L

2 Channel DMS700 System with omni-directional antennas & 25m antenna cable (82 feet)



2 DHT700 or DPT700 charging system (optional)



Date	23.01.2012	Revision	1.0
Designer	Wolfgang Fritz	Ref.No.	MCS0802001
Project	2 channel DMS700 system (RA4000 B/W – Antennas)		



2 Channel DMS700 System with omni-directional antennas

units	description	comment
1	DSR700	19"-rack receiver, internal power supply; (frequency range 548.1 to 697.9 MHz or 710.1 to 864.9 MHz); 2 UHF antennas; 1 IEC cable US, 1 IEC cable EU
2	DHT700 or DPT700	Hand-held transmitter or Bodypack transmitter; (frequency range 548.1 to 697.9 MHz or 710.1 to 864.9 MHz); stand adapter or belt clip; 2 AA size dry batteries, Colour Coding Kit and Windscreen
2	ASU4000 (BNC/none)	Antenna Supply unit for long antenna cables (BNC connector) without AC-Adapter
2	AC12 500mA EU/US/UK	12V AC-Adapter for 1 ASU4000, AB4000, HUB4000 Q, SR450/470 or SR4500.
2	MK PS	Connecting cable for PS to SR 2.15ft (65cm)
2	MKA 5	16.5 ft. (5m) Cables for connecting ext. antennas to multi-couplers (2 req.) KOAX RG58
2	RA4000 B/W	External omni-directional active dipoleantenna with amplifier (2 req.)
2	MKA 20	66 ft. (20m) Cables for connecting ext. antennas to multi-couplers (2 req.) KOAX RG58
2	BNC I-connector	EXTERNAL !! Not available at AKG - BNC I-Connector (you can buy it at www.rs-components.com , Ordernumber 112-1798)

Optional Components (Charging System & PC Control System)

units	description	comment
1	CU700	Twin charger + 2 AA size rechargeable batteries for DHT 700 or DPT 700 transmitter; with AC Adapter
1	HUB4000 Q / none	Network concentrator without AC-Adapter; of 8 systems
1	AC12 500mA EU/US/UK	12V AC-Adapter for 1 ASU4000, AB4000, HUB4000 Q, SR450/470 or SR4500.
1	DHCP Net Switch + CAT5 Cable	EXTERNAL !! Not available at AKG - for 4 input to 1 output (e.g. D-Link)

Do not forget microphone head, headset or other microphone !!

DPT 700: e.g. C555L, C520ML, C516ML, C518ML, C519ML, HC577 WR-L, CK77 WR-L, CK99L, C411L, C417L

4 Channel DMS700 System with directional antennas & 20(40)m antenna cable (66 or 132 feet)

40m / 132 ft Version:
2x MKA20
BNC I-connector is necessary to link cables!
Available e.g. www.rs-components.com,
Ordernumber 112-1798

PS4000W – Power Splitter

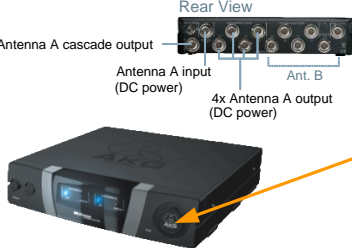
Rear View

Antenna A cascade output

Antenna A input (DC power)

Ant. B

4x Antenna A output (DC power)



Signal level adjustment

Attenuation

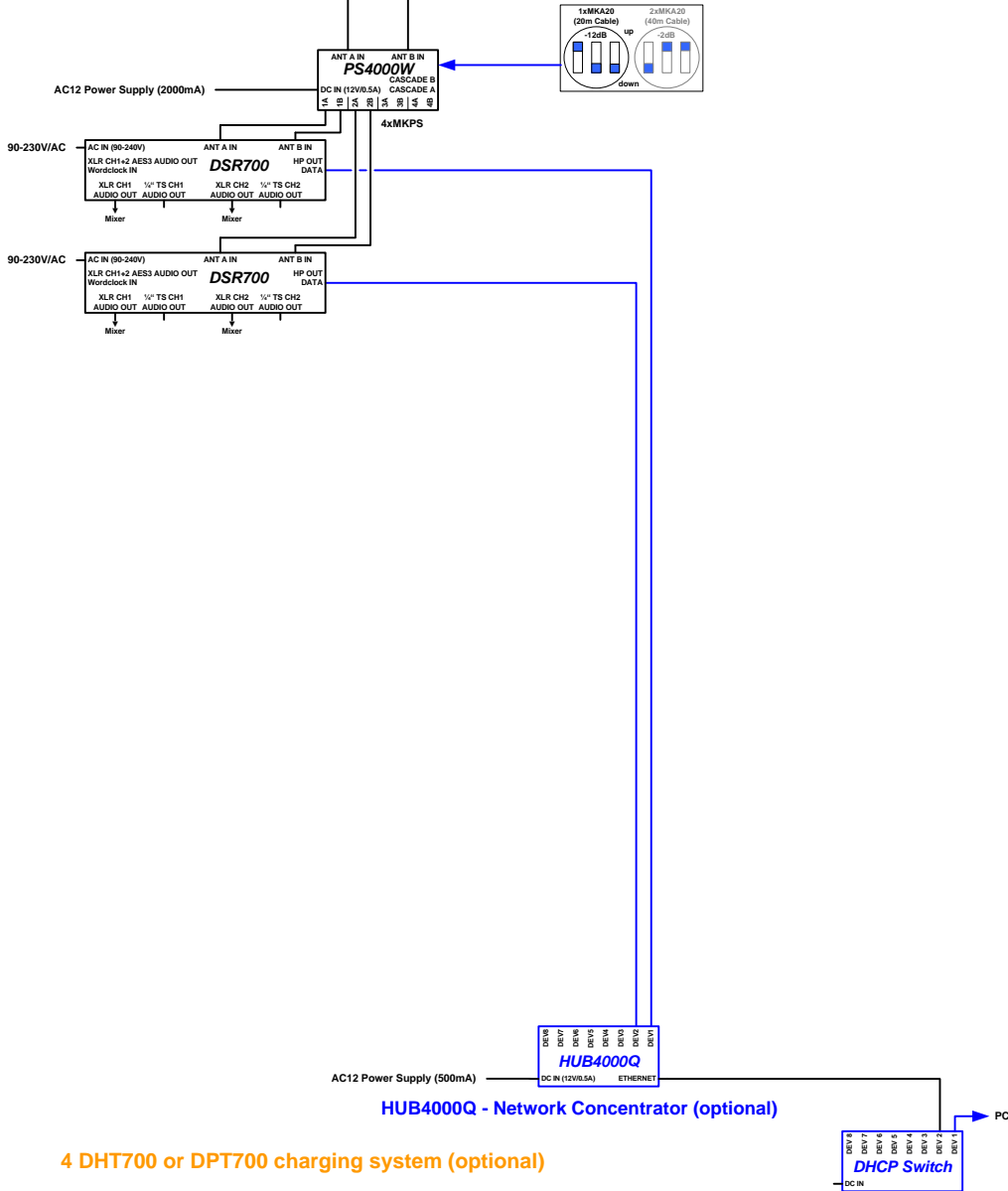
CLA

14 dB	<input type="checkbox"/>
12 dB	<input type="checkbox"/>
10 dB	<input type="checkbox"/>
8 dB	<input type="checkbox"/>
6 dB	<input type="checkbox"/>
4 dB	<input type="checkbox"/>
2 dB	<input type="checkbox"/>
0 dB	<input type="checkbox"/>

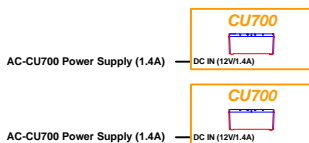
ON

1 2 3

dip switches behind AKG Logo



4 DHT700 or DPT700 charging system (optional)



Date	23.01.2012	Revision	1.0
Designer	Wolfgang Fritz	Ref.No.	MCS0802001
Project	4 channel DMS700 system (SRA2 B/W – Antennas)		



4 Channel DMS700 System with directional antennas

units	description	comment
2	DSR700	19"-rack receiver, internal power supply; (frequency range 548.1 to 697.9 MHz or 710.1 to 864.9 MHz); 2 UHF antennas; 1 IEC cable US, 1 IEC cable EU
4	DHT700 or DPT700	Hand-held transmitter or Bodypack transmitter; (frequency range 548.1 to 697.9 MHz or 710.1 to 864.9 MHz); stand adapter or belt clip; 2 AA size dry batteries, Colour Coding Kit and Windscreen
1	PS4000W	Wide band antenna multi coupler (4+1 out) without AC-Adapter
1	AC12 2000mA EU/US/UK	12V AC-Adapter power supply PS4000W, CU700, CU4000 (you can also use a PSU4000
4	MK PS	Connecting cable for PS to SR 2.15ft (65cm)
2	MKA 20	66 ft. (20m) Cables for connecting ext. antennas to multi-couplers (2 req.) KOAX RG58
2	SRA2 B/W	External directional active "paddle" antenna with amplifier (2 req.)
2	MKA 20	66 ft. (20m) Cables for connecting ext. antennas to multi-couplers (2 req.) KOAX RG58

Additional parts for 40m(132feet) Antenna Cable		
2	MKA 20	66 ft. (20m) Cables for connecting ext. antennas to multi-couplers (2 req.) KOAX RG58
2	BNC I-connector	EXTERNAL !! Not available at AKG - BNC I-Connector (you can buy it at www.rs-components.com , Ordernumber 112-1798)

Optional Components (Charging System & PC Control System)

units	description	comment
2	CU700	Twin charger + 2 AA size rechargeable batteries for DHT 700 or DPT 700 transmitter; with AC Adapter
1	HUB4000 Q / none	Network concentrator without AC-Adapter; of 8 systems
1	AC12 500mA EU/US/UK	12V AC-Adapter for 1 ASU4000, AB4000, HUB4000 Q, SR450/470 or SR4500.
1	DHCP Net Switch + CAT5 Cable	EXTERNAL !! Not available at AKG - for 4 input to 1 output (e.g. D-Link)

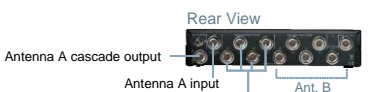
Do not forget microphone head, headset or other microphone !!

DPT 700: e.g. C555L, C520ML, C516ML, C518ML, C519ML, HC577 WR-L, CK77 WR-L, CK99L, C411L, C417L

4 Channel DMS700 System with omni-directional antennas & 20(40)m antenna cable (66 or 132 feet)

40m / 132 ft Version:
2x MKA20
BNC I-connector is necessary to link cables!
Available e.g. www.rs-components.com,
Ordernumber 112-1798

PS4000W – Power Splitter



Signal level adjustment

Attenuation

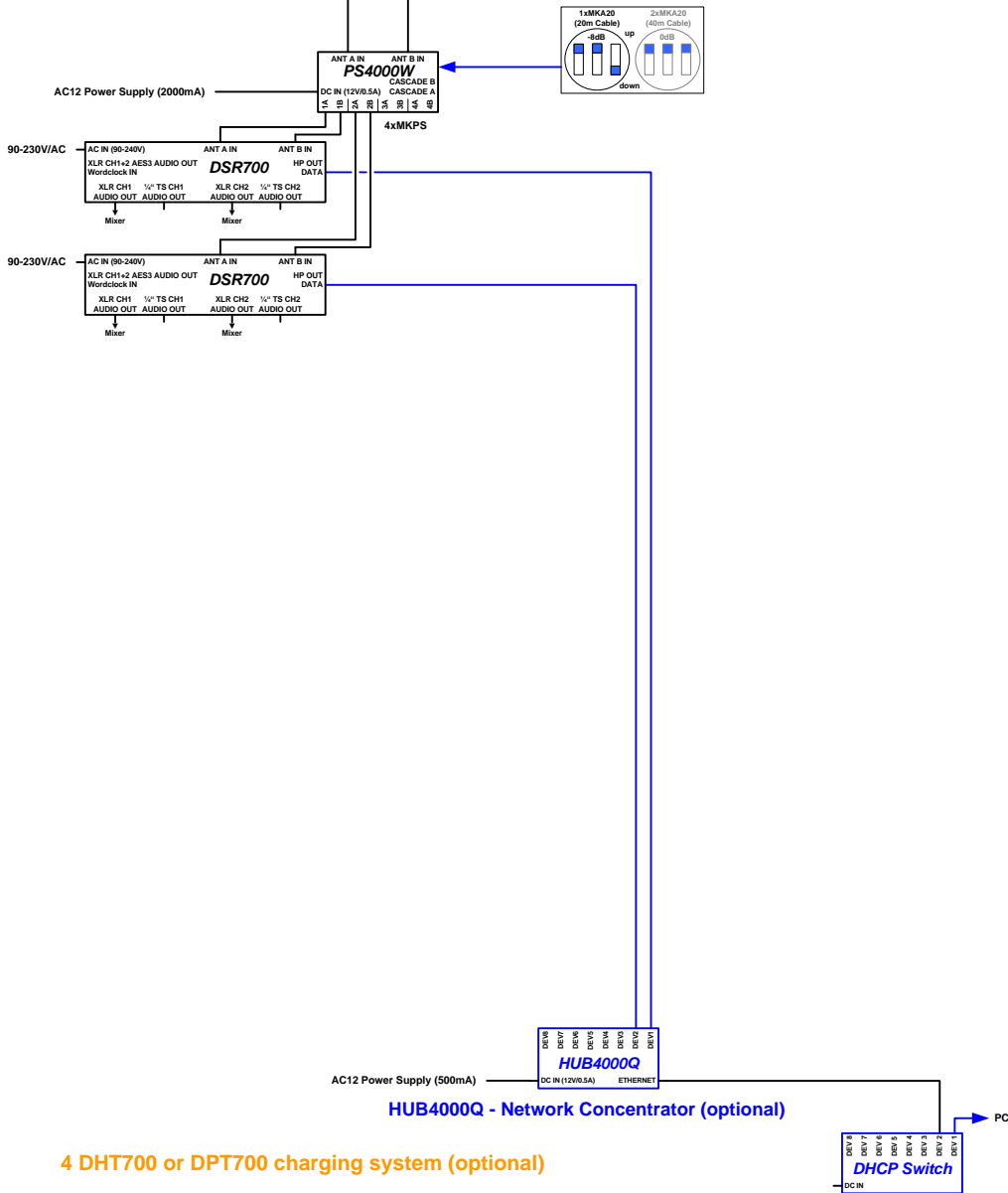
14 dB
12 dB
10 dB
8 dB
6 dB
4 dB
2 dB
0 dB

CLA

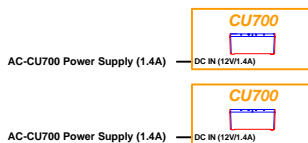
ON

1 2 3

dip switches behind AKG Logo



4 DHT700 or DPT700 charging system (optional)



Date	23.01.2012	Revision	1.0
Designer	Wolfgang Fritz	Ref.No.	MCS0802001
Project	4 channel DMS700 system (RA4000 B/W – Antennas)		



4 Channel DMS700 System with omni-directional antennas

units	description	comment
2	DSR700	19"-rack receiver, internal power supply; (frequency range 548.1 to 697.9 MHz or 710.1 to 864.9 MHz); 2 UHF antennas; 1 IEC cable US, 1 IEC cable EU
4	DHT700 or DPT700	Hand-held transmitter or Bodypack transmitter; (frequency range 548.1 to 697.9 MHz or 710.1 to 864.9 MHz); stand adapter or belt clip; 2 AA size dry batteries, Colour Coding Kit and Windscreen
1	PS4000W	Wide band antenna multi coupler (4+1 out) without AC-Adapter
1	AC12 2000mA EU/US/UK	12V AC-Adapter power supply PS4000W, CU700, CU4000 (you can also use a PSU4000
4	MK PS	Connecting cable for PS to SR 2.15ft (65cm)
2	MKA 20	66 ft. (20m) Cables for connecting ext. antennas to multi-couplers (2 req.) KOAX RG58
2	RA4000 B/W	External omni-directional active dipoleantenna with amplifier (2 req.)
2	MKA 20	66 ft. (20m) Cables for connecting ext. antennas to multi-couplers (2 req.) KOAX RG58

Additional parts for 40m(132feet) Antenna Cable		
2	MKA 20	66 ft. (20m) Cables for connecting ext. antennas to multi-couplers (2 req.) KOAX RG58
2	BNC I-connector	EXTERNAL !! Not available at AKG - BNC I-Connector (you can buy it at www.rs-components.com , Ordernumber 112-1798)

Optional Components (Charging System & PC Control System)

units	description	comment
2	CU700	Twin charger + 2 AA size rechargeable batteries for DHT 700 or DPT 700 transmitter; with AC Adapter
1	PSU4000	Central Power supply unit for powering up to 1 HUB4000 Q, CU700, CU4000 or up to 12
1	AC12 500mA EU/US/UK	12V AC-Adapter for 1 ASU4000, AB4000, HUB4000 Q, SR450/470 or SR4500.
1	DHCP Net Switch + CAT5 Cable	EXTERNAL !! Not available at AKG - for 4 input to 1 output (e.g. D-Link)

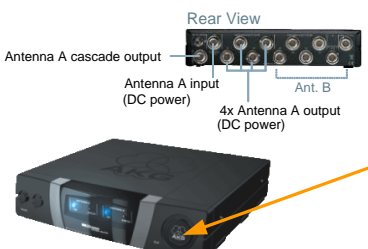
Do not forget microphone head, headset or other microphone !!

DPT 700: e.g. C555L, C520ML, C516ML, C518ML, C519ML, HC577 WR-L, CK77 WR-L, CK99L, C411L, C417L

8 Channel DMS700 System with directional antennas & 20(40)m antenna cable (66 or 132 feet)

40m / 132 ft Version:
2x MKA20
BNC I-connector is necessary to link cables!
Available e.g. www.rs-components.com,
Ordernumber 112-1798

PS4000W – Power Splitter



Signal level adjustment

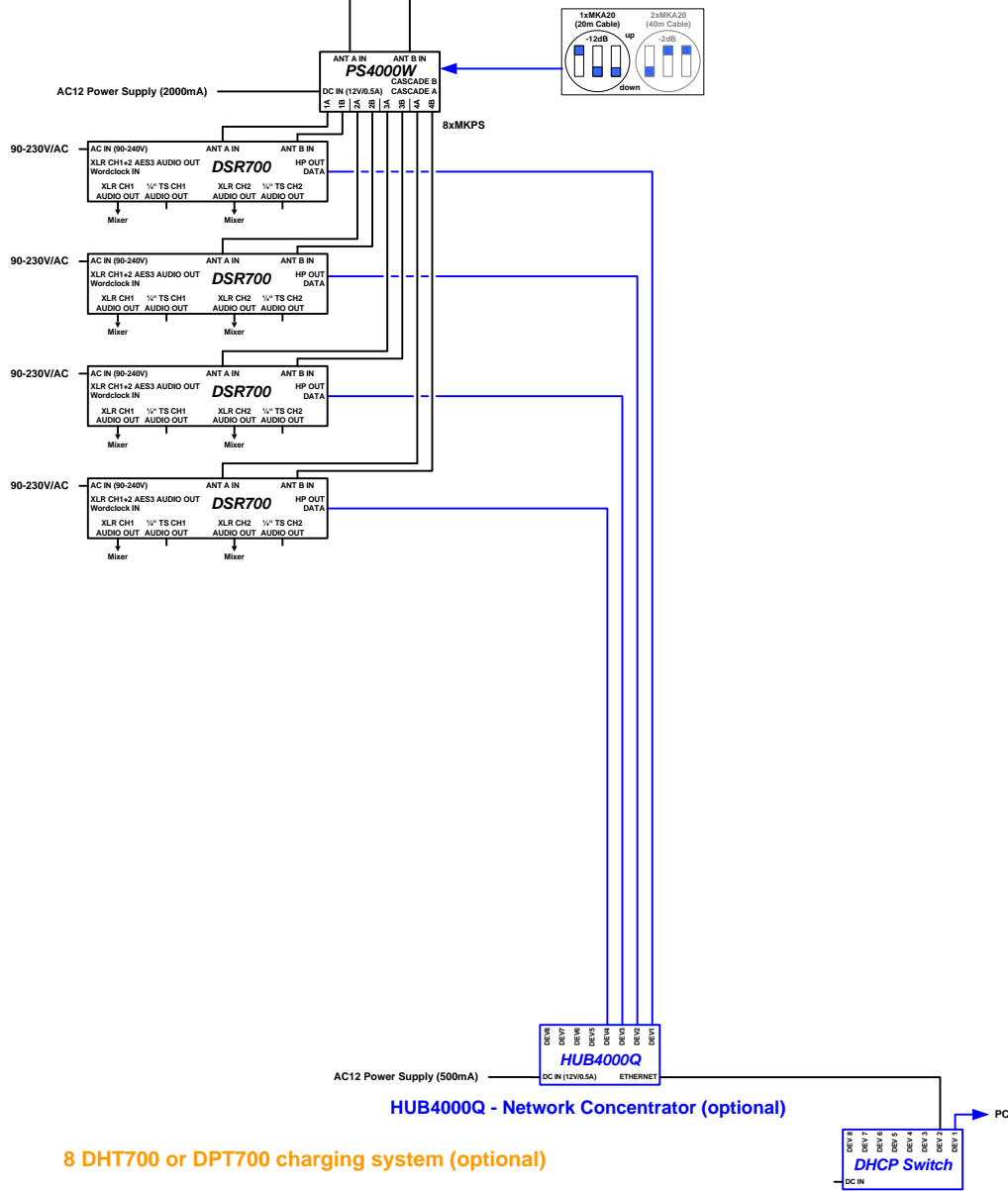
CLA

ON

1 2 3

14 dB
12 dB
10 dB
8 dB
6 dB
4 dB
2 dB
0 dB

dip switches behind AKG Logo



Date	23.01.2012	Revision	1.0
Designer	Wolfgang Fritz	Ref.No.	MCS0802001
Project	8 channel DMS700 system (SRA2 B/W – Antennas)		



8 Channel DMS700 System with directional antennas

units	description	comment
4	DSR700	19"-rack receiver, internal power supply; (frequency range 548.1 to 697.9 MHz or 710.1 to 864.9 MHz); 2 UHF antennas; 1 IEC cable US, 1 IEC cable EU
8	DHT700 or DPT700	Hand-held transmitter or Bodypack transmitter; (frequency range 548.1 to 697.9 MHz or 710.1 to 864.9 MHz); stand adapter or belt clip; 2 AA size dry batteries, Colour Coding Kit and Windscreen
1	PS4000W	Wide band antenna multi coupler (4+1 out) without AC-Adapter
1	AC12 2000mA EU/US/UK	12V AC-Adapter power supply PS4000W, CU700, CU4000 (you can also use a PSU4000
8	MK PS	Connecting cable for PS to SR 2.15ft (65cm)
2	MKA 20	66 ft. (20m) Cables for connecting ext. antennas to multi-couplers (2 req.) KOAX RG58
2	SRA2 B/W	External directional active "paddle" antenna with amplifier (2 req.)
2	MKA 20	66 ft. (20m) Cables for connecting ext. antennas to multi-couplers (2 req.) KOAX RG58

Additional parts for 40m(132feet) Antenna Cable		
2	MKA 20	66 ft. (20m) Cables for connecting ext. antennas to multi-couplers (2 req.) KOAX RG58
2	BNC I-connector	EXTERNAL !! Not available at AKG - BNC I-Connector

Optional Components (Charging System & PC Control System)

units	description	comment
4	CU700	Twin charger + 2 AA size rechargeable batteries for DHT 700 or DPT 700 transmitter; with AC Adapter
1	HUB4000 Q / none	Network concentrator without AC-Adapter; of 8 systems
1	AC12 500mA EU/US/UK	12V AC-Adapter for 1 ASU4000, AB4000, HUB4000 Q, SR450/470 or SR4500.
1	DHCP Net Switch + CAT5 Cable	EXTERNAL !! Not available at AKG - for 4 input to 1 output (e.g. D-Link)

Do not forget microphone head, headset or other microphone !!

DPT 700: e.g. C555L, C520ML, C516ML, C518ML, C519ML, HC577 WR-L, CK77 WR-L, CK99L, C411L, C417L

8 Channel DMS700 System with omni-directional antennas & 20(40)m antenna cable (66 or 132 feet)

40m / 132 ft Version:
2x MKA20
BNC I-connector is necessary to link cables!
Available e.g. www.rs-components.com,
Ordernumber 112-1798

PS4000W – Power Splitter

Rear View

Signal level adjustment

CLA

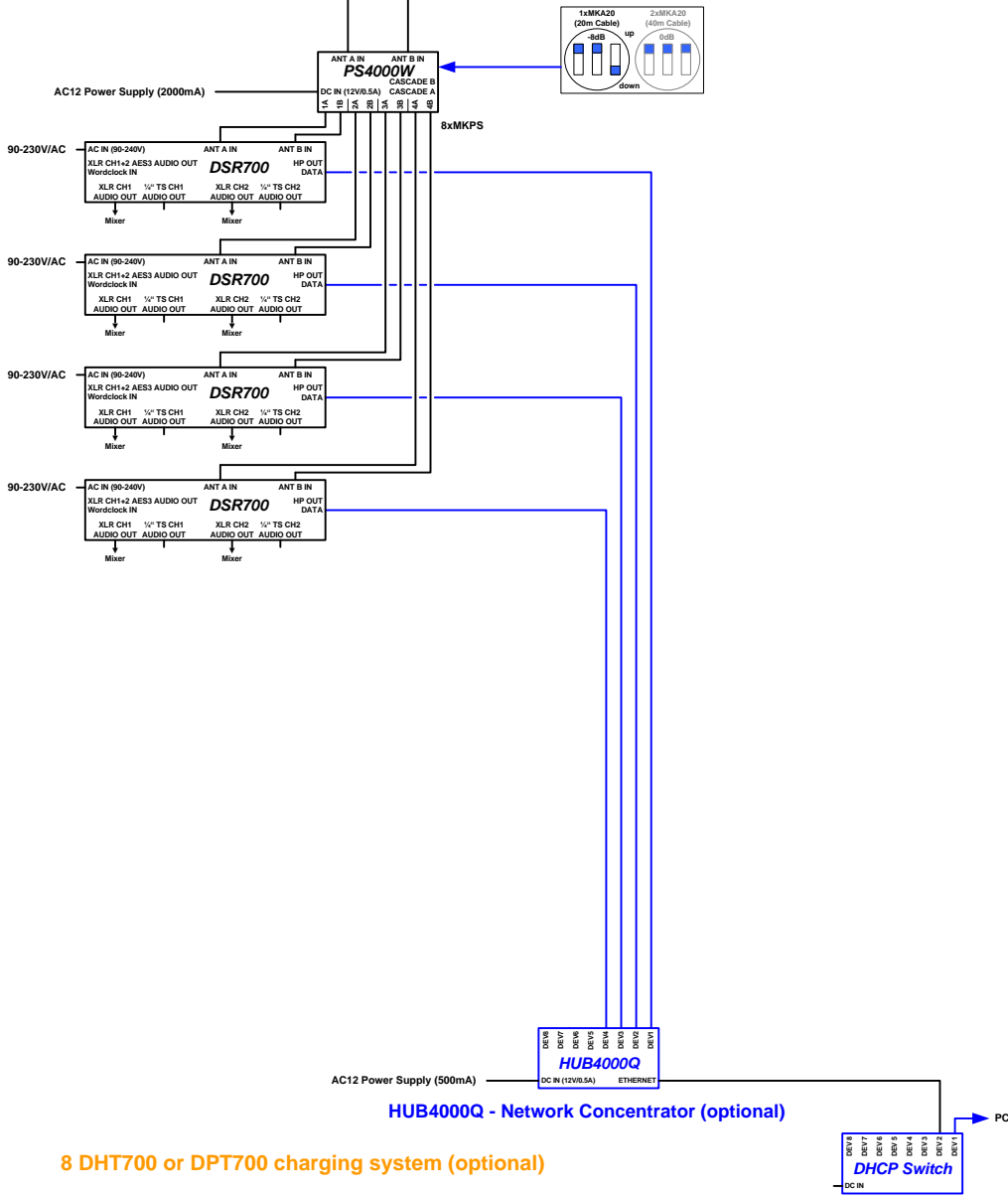
ON

1 2 3

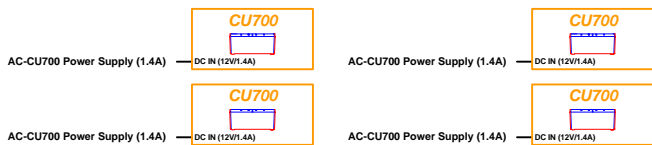
Attenuation

- 14 dB
- 12 dB
- 10 dB
- 8 dB
- 6 dB
- 4 dB
- 2 dB
- 0 dB

dip switches behind AKG Logo



8 DHT700 or DPT700 charging system (optional)



Date	23.01.2012	Revision	1.0
Designer	Wolfgang Fritz	Ref.No.	MCS0802001
Project	8 channel DMS700 system (RA4000 B/W – Antennas)		



8 Channel DMS700 System with omni-directional antennas

units	description	comment
4	DSR700	19"-rack receiver, internal power supply; (frequency range 548.1 to 697.9 MHz or 710.1 to 864.9 MHz); 2 UHF antennas; 1 IEC cable US, 1 IEC cable EU
8	DHT700 or DPT700	Hand-held transmitter or Bodypack transmitter; (frequency range 548.1 to 697.9 MHz or 710.1 to 864.9 MHz); stand adapter or belt clip; 2 AA size dry batteries, Colour Coding Kit and Windscreen
1	PS4000W	Wide band antenna multi coupler (4+1 out) without AC-Adapter
1	AC12 2000mA EU/US/UK	12V AC-Adapter power supply PS4000W, CU700, CU4000 (you can also use a PSU4000
8	MK PS	Connecting cable for PS to SR 2.15ft (65cm)
2	MKA 20	66 ft. (20m) Cables for connecting ext. antennas to multi-couplers (2 req.) KOAX RG58
2	RA4000 B/W	External omni-directional active dipoleantenna with amplifier (2 req.)
2	MKA 20	66 ft. (20m) Cables for connecting ext. antennas to multi-couplers (2 req.) KOAX RG58

Additional parts for 40m(132feet) Antenna Cable

2	MKA 20	66 ft. (20m) Cables for connecting ext. antennas to multi-couplers (2 req.) KOAX RG58
2	BNC I-connector	EXTERNAL !! Not available at AKG - BNC I-Connector (you can buy it at www.rs-components.com , Ordernumber 112-1798)

Optional Components (Charging System & PC Control System)

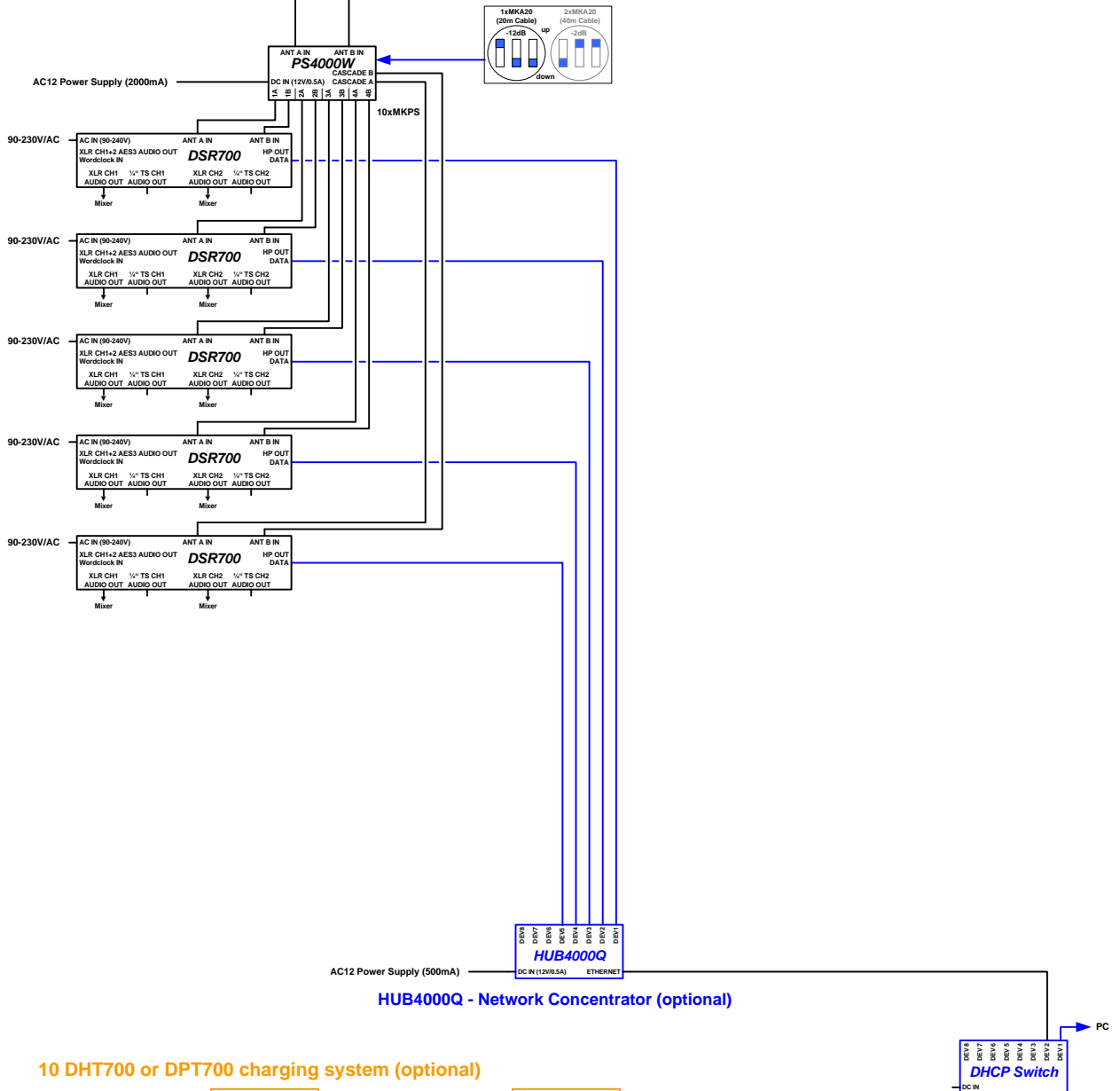
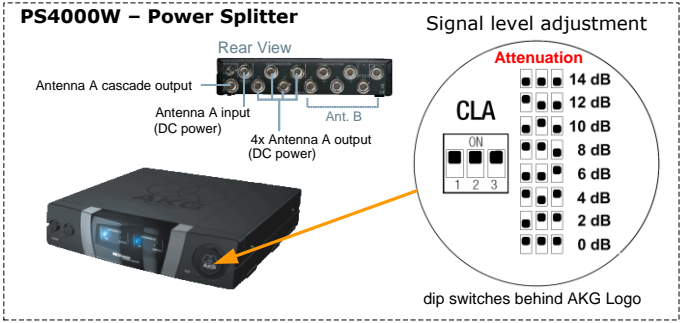
units	description	comment
4	CU700	Twin charger + 2 AA size rechargeable batteries for DHT 700 or DPT 700 transmitter; with AC Adapter
1	HUB4000 Q / none	Network concentrator without AC-Adapter; of 8 systems
1	AC12 500mA EU/US/UK	12V AC-Adapter for 1 ASU4000, AB4000, HUB4000 Q, SR450/470 or SR4500.
1	DHCP Net Switch + CAT5 Cable	EXTERNAL !! Not available at AKG - for 4 input to 1 output (e.g. D-Link)

Do not forget microphone head, headset or other microphone !!

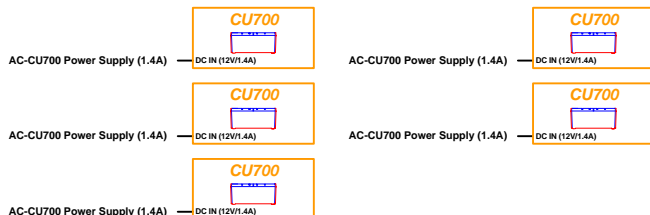
DPT 700: e.g. C555L, C520ML, C516ML, C518ML, C519ML, HC577 WR-L, CK77 WR-L, CK99L, C411L, C417L

10 Channel DMS700 System with directional antennas & 20(40)m antenna cable (66 or 132 feet)

40m / 132 ft Version:
2x MKA20
BNC I-connector is necessary to link cables!
Available e.g. www.rs-components.com,
Ordernumber 112-1798



10 DHT700 or DPT700 charging system (optional)



Date	23.01.2012	Revision	1.0
Designer	Wolfgang Fritz	Ref.No.	MCS0802001
Project	10 channel DMS700 system (SRA2 B/W - Antennas)		



10 Channel DMS700 System with directional antennas

units	description	comment
5	DSR700	19"-rack receiver, internal power supply; (frequency range 548.1 to 697.9 MHz or 710.1 to 864.9 MHz); 2 UHF antennas; 1 IEC cable US, 1 IEC cable EU
10	DHT700 or DPT700	Hand-held transmitter or Bodypack transmitter; (frequency range 548.1 to 697.9 MHz or 710.1 to 864.9 MHz); stand adapter or belt clip; 2 AA size dry batteries, Colour Coding Kit and Windscreen
1	PS4000W	Wide band antenna multi coupler (4+1 out) without AC-Adapter
1	AC12 2000mA EU/US/UK	12V AC-Adapter power supply PS4000W, CU700, CU4000 (you can also use a PSU4000
10	MK PS	Connecting cable for PS to SR 2.15ft (65cm)
2	MKA 20	66 ft. (20m) Cables for connecting ext. antennas to multi-couplers (2 req.) KOAX RG58
2	SRA2 B/W	External directional active "paddle" antenna with amplifier (2 req.)
2	MKA 20	66 ft. (20m) Cables for connecting ext. antennas to multi-couplers (2 req.) KOAX RG58

Additional parts for 40m(132feet) Antenna Cable

2	MKA 20	66 ft. (20m) Cables for connecting ext. antennas to multi-couplers (2 req.) KOAX RG58
2	BNC I-connector	EXTERNAL !! Not available at AKG - BNC I-Connector (you can buy it at www.rs-components.com , Ordernumber 112-1798)

Optional Components (Charging System & PC Control System)

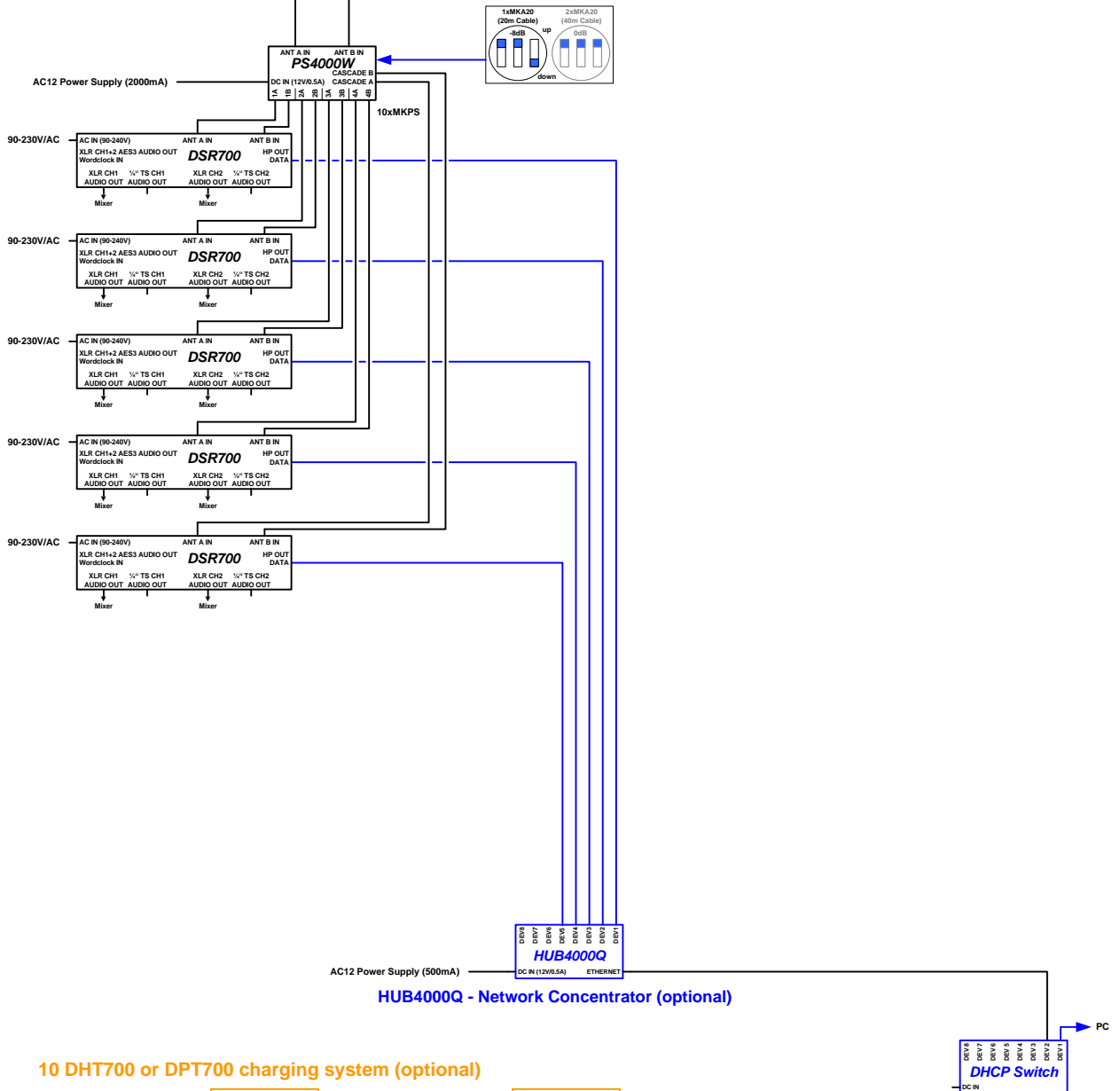
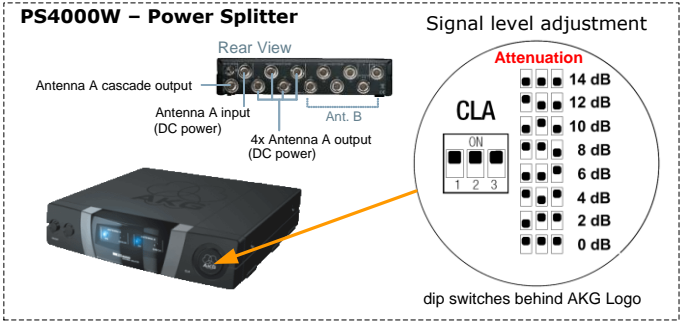
units	description	comment
5	CU700	Twin charger + 2 AA size rechargeable batteries for DHT 700 or DPT 700 transmitter; with AC Adapter
1	HUB4000 Q / none	Network concentrator without AC-Adapter; of 8 systems
1	AC12 500mA EU/US/UK	12V AC-Adapter for 1 ASU4000, AB4000, HUB4000 Q, SR450/470 or SR4500.
1	DHCP Net Switch + CAT5 Cable	EXTERNAL !! Not available at AKG - for 4 input to 1 output (e.g. D-Link)

Do not forget microphone head, headset or other microphone !!

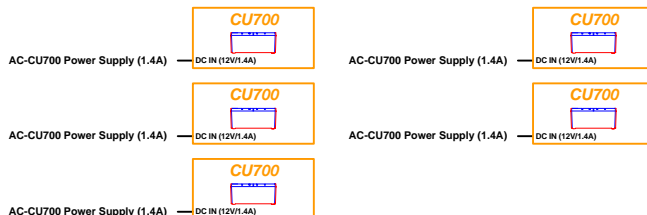
DPT 700: e.g. C555L, C520ML, C516ML, C518ML, C519ML, HC577 WR-L, CK77 WR-L, CK99L, C411L, C417L

10 Channel DMS700 System with omni-directional antennas & 20(40)m antenna cable (66 or 132 feet)

40m / 132 ft Version:
2x MKA20
BNC I-connector is necessary to link cables!
Available e.g. www.rs-components.com,
Ordernumber 112-1798



10 DHT700 or DPT700 charging system (optional)



Date	23.01.2012	Revision	1.0
Designer	Wolfgang Fritz	Ref.No.	MCS0802001
Project	10 channel DMS700 system (RA4000 B/W - Antennas)		



10 Channel DMS700 System with omni-directional antennas

units	description	comment
5	DSR700	19"-rack receiver, internal power supply; (frequency range 548.1 to 697.9 MHz or 710.1 to 864.9 MHz); 2 UHF antennas; 1 IEC cable US, 1 IEC cable EU
10	DHT700 or DPT700	Hand-held transmitter or Bodypack transmitter; (frequency range 548.1 to 697.9 MHz or 710.1 to 864.9 MHz); stand adapter or belt clip; 2 AA size dry batteries, Colour Coding Kit and Windscreen
1	PS4000W	Wide band antenna multi coupler (4+1 out) without AC-Adapter
1	AC12 2000mA EU/US/UK	12V AC-Adapter power supply PS4000W, CU700, CU4000 (you can also use a PSU4000
10	MK PS	Connecting cable for PS to SR 2.15ft (65cm)
2	MKA 20	66 ft. (20m) Cables for connecting ext. antennas to multi-couplers (2 req.) KOAX RG58
2	RA4000 B/W	External omni-directional active dipoleantenna with amplifier (2 req.)
2	MKA 20	66 ft. (20m) Cables for connecting ext. antennas to multi-couplers (2 req.) KOAX RG58

Additional parts for 40m(132feet) Antenna Cable		
2	MKA 20	66 ft. (20m) Cables for connecting ext. antennas to multi-couplers (2 req.) KOAX RG58
2	BNC I-connector	EXTERNAL !! Not available at AKG - BNC I-Connector (you can buy it at www.rs-components.com , Ordernumber 112-1798)

Optional Components (Charging System & PC Control System)

units	description	comment
5	CU700	Twin charger + 2 AA size rechargeable batteries for DHT 700 or DPT 700 transmitter; with AC Adapter
1	HUB4000 Q / none	Network concentrator without AC-Adapter; of 8 systems
1	AC12 500mA EU/US/UK	12V AC-Adapter for 1 ASU4000, AB4000, HUB4000 Q, SR450/470 or SR4500.
1	DHCP Net Switch + CAT5 Cable	EXTERNAL !! Not available at AKG - for 4 input to 1 output (e.g. D-Link)

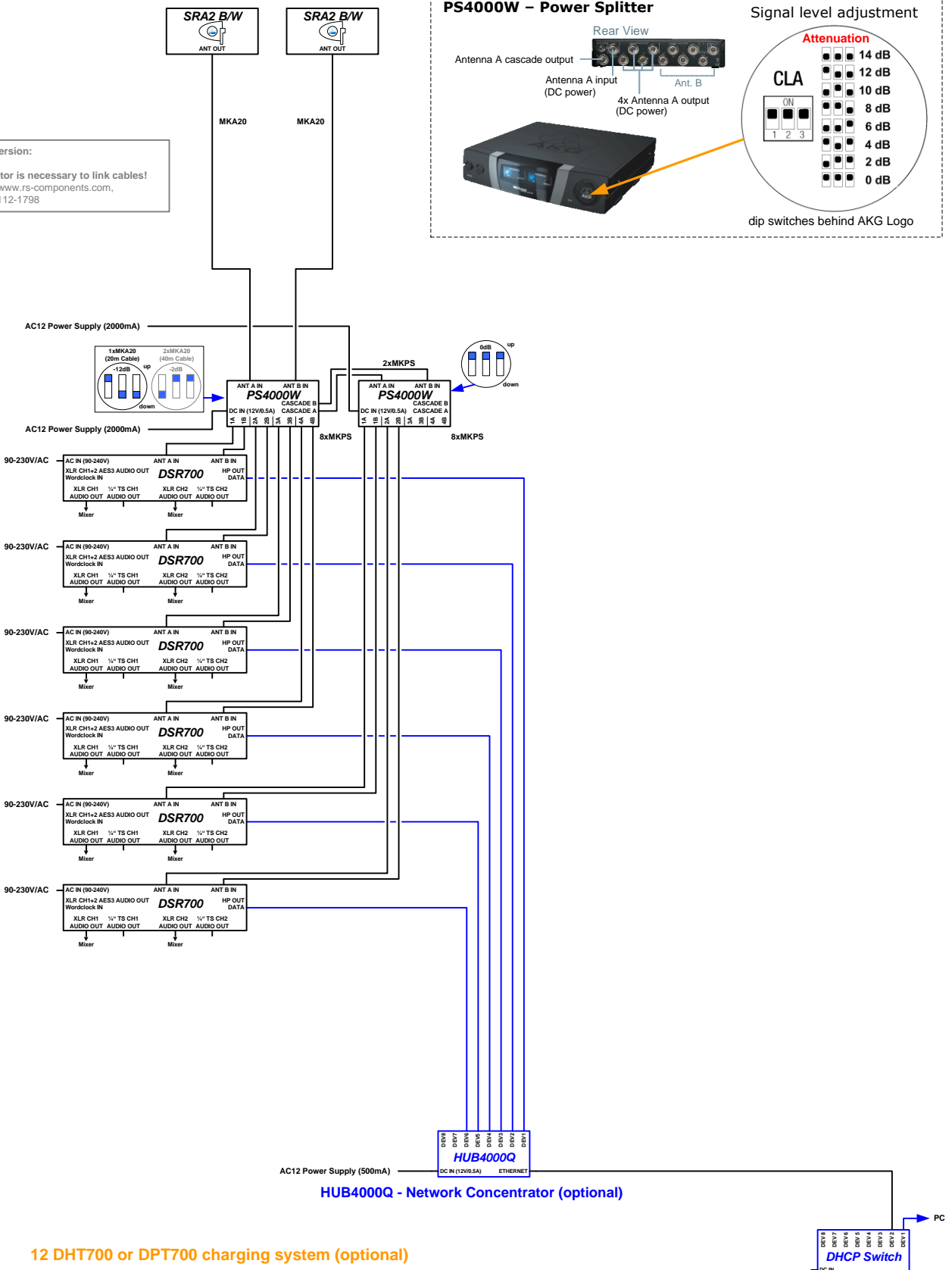
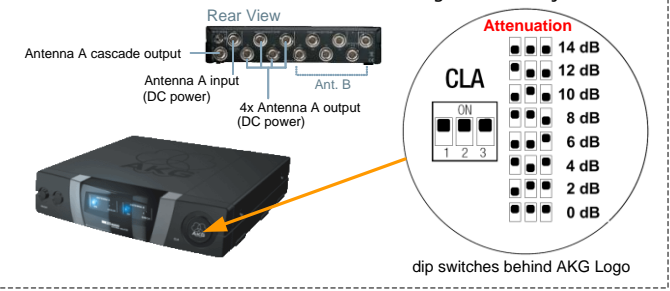
Do not forget microphone head, headset or other microphone !!

DPT 700: e.g. C555L, C520ML, C516ML, C518ML, C519ML, HC577 WR-L, CK77 WR-L, CK99L, C411L, C417L

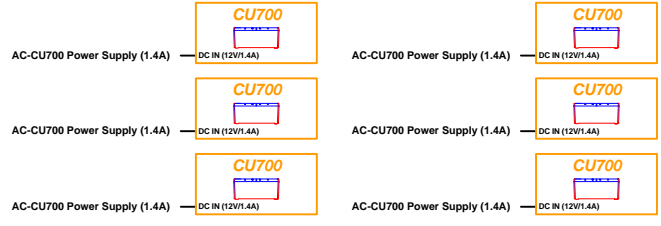
12 Channel DMS700 System with directional antennas & 20(40)m antenna cable (66 or 132 feet)

40m / 132 ft Version:
2x MKA20
BNC I-connector is necessary to link cables!
Available e.g. www.rs-components.com,
Ordernumber 112-1798

PS4000W – Power Splitter



12 DHT700 or DPT700 charging system (optional)



Date	23.01.2012	Revision	1.0
Designer	Wolfgang Fritz	Ref.No.	MCS0802001
Project	12 channel DMS700 system (SRA2 B/W – Antennas)		



12 Channel DMS700 System with directional antennas

units	description	comment
6	DSR700	19"-rack receiver, internal power supply; (frequency range 548.1 to 697.9 MHz or 710.1 to 864.9 MHz); 2 UHF antennas; 1 IEC cable US, 1 IEC cable EU
12	DHT700 or DPT700	Hand-held transmitter or Bodypack transmitter; (frequency range 548.1 to 697.9 MHz or 710.1 to 864.9 MHz); stand adapter or belt clip; 2 AA size dry batteries, Colour Coding Kit and Windscreen
2	PS4000W	Wide band antenna multi coupler (4+1 out) without AC-Adapter
2	AC12 2000mA EU/US/UK	12V AC-Adapter power supply PS4000W, CU700, CU4000 (you can also use a PSU4000
14	MK PS	Connecting cable for PS to SR 2.15ft (65cm)
2	MKA 20	66 ft. (20m) Cables for connecting ext. antennas to multi-couplers (2 req.) KOAX RG58
2	SRA2 B/W	External directional active "paddle" antenna with amplifier (2 req.)
2	MKA 20	66 ft. (20m) Cables for connecting ext. antennas to multi-couplers (2 req.) KOAX RG58

Additional parts for 40m(132feet) Antenna Cable

2	MKA 20	66 ft. (20m) Cables for connecting ext. antennas to multi-couplers (2 req.) KOAX RG58
2	BNC I-connector	EXTERNAL !! Not available at AKG - BNC I-Connector (you can buy it at www.rs-components.com , Ordernumber 112-1798)

Optional Components (Charging System & PC Control System)

units	description	comment
6	CU700	Twin charger + 2 AA size rechargeable batteries for DHT 700 or DPT 700 transmitter; with AC Adapter
1	HUB4000 Q / none	Network concentrator without AC-Adapter; of 8 systems
1	AC12 500mA EU/US/UK	12V AC-Adapter for 1 ASU4000, AB4000, HUB4000 Q, SR450/470 or SR4500.
1	DHCP Net Switch + CAT5 Cable	EXTERNAL !! Not available at AKG - for 4 input to 1 output (e.g. D-Link)

Do not forget microphone head, headset or other microphone !!

DPT 700: e.g. C555L, C520ML, C516ML, C518ML, C519ML, HC577 WR-L, CK77 WR-L, CK99L, C411L, C417L

12 Channel DMS700 System with omni-directional antennas & 20(40)m antenna cable (66 or 132 feet)

40m / 132 ft Version:
2x MKA20
BNC I-connector is necessary to link cables!
Available e.g. www.rs-components.com,
Ordernumber 112-1798

PS4000W – Power Splitter

Signal level adjustment

CLA

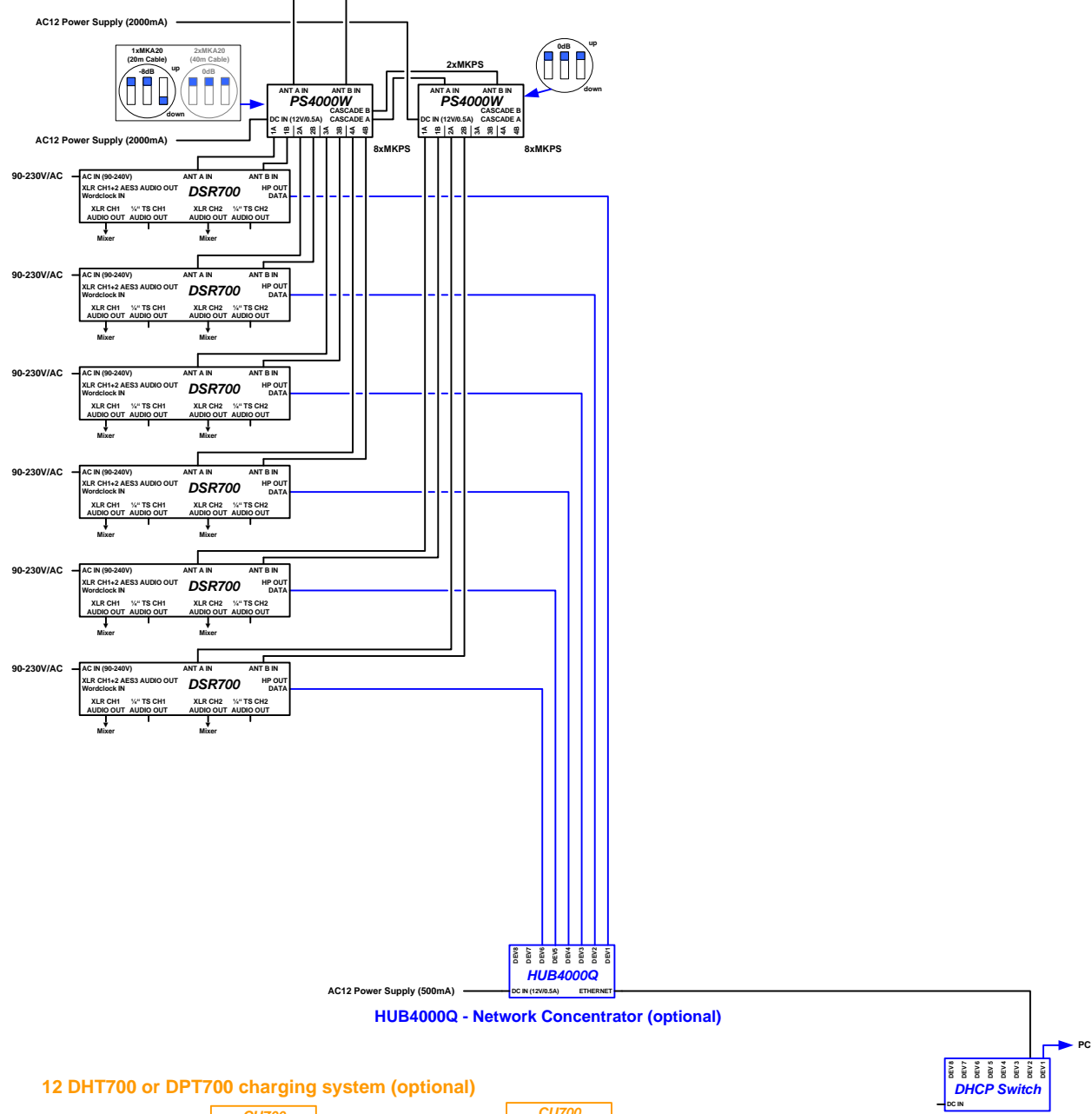
ON

1 2 3

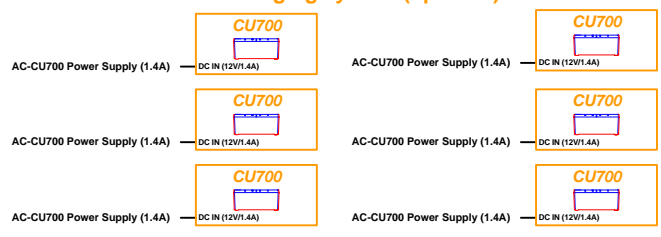
Attenuation

- 14 dB
- 12 dB
- 10 dB
- 8 dB
- 6 dB
- 4 dB
- 2 dB
- 0 dB

dip switches behind AKG Logo



12 DHT700 or DPT700 charging system (optional)



Date	23.01.2012	Revision	1.0
Designer	Wolfgang Fritz	Ref.No.	MCS0802001
Project	12 channel DMS700 system (RA4000 B/W – Antennas)		

12 Channel DMS700 System with omni-directional antennas

units	description	comment
6	DSR700	19"-rack receiver, internal power supply; (frequency range 548.1 to 697.9 MHz or 710.1 to 864.9 MHz); 2 UHF antennas; 1 IEC cable US, 1 IEC cable EU
12	DHT700 or DPT700	Hand-held transmitter or Bodypack transmitter; (frequency range 548.1 to 697.9 MHz or 710.1 to 864.9 MHz); stand adapter or belt clip; 2 AA size dry batteries, Colour Coding Kit and Windscreen
2	PS4000W	Wide band antenna multi coupler (4+1 out) without AC-Adapter
2	AC12 2000mA EU/US/UK	12V AC-Adapter power supply PS4000W, CU700, CU4000 (you can also use a PSU4000
14	MK PS	Connecting cable for PS to SR 2.15ft (65cm)
2	MKA 20	66 ft. (20m) Cables for connecting ext. antennas to multi-couplers (2 req.) KOAX RG58
2	RA4000 B/W	External omni-directional active dipoleantenna with amplifier (2 req.)
2	MKA 20	66 ft. (20m) Cables for connecting ext. antennas to multi-couplers (2 req.) KOAX RG58

Additional parts for 40m(132feet) Antenna Cable		
2	MKA 20	66 ft. (20m) Cables for connecting ext. antennas to multi-couplers (2 req.) KOAX RG58
2	BNC I-connector	EXTERNAL !! Not available at AKG - BNC I-Connector (you can buy it at www.rs-components.com , Ordernumber 112-1798)

Optional Components (Charging System & PC Control System)

units	description	comment
6	CU700	Twin charger + 2 AA size rechargeable batteries for DHT 700 or DPT 700 transmitter; with AC Adapter
1	HUB4000 Q / none	Network concentrator without AC-Adapter; of 8 systems
1	AC12 500mA EU/US/UK	12V AC-Adapter for 1 ASU4000, AB4000, HUB4000 Q, SR450/470 or SR4500.
1	DHCP Net Switch + CAT5 Cable	EXTERNAL !! Not available at AKG - for 4 input to 1 output (e.g. D-Link)

Do not forget microphone head, headset or other microphone !!

DPT 700: e.g. C555L, C520ML, C516ML, C518ML, C519ML, HC577 WR-L, CK77 WR-L, CK99L, C411L, C417L

16 Channel DMS700 System with directional antennas & 20(40)m antenna cable (66 or 132 feet)

40m / 132 ft Version:
2x MKA20
BNC I-connector is necessary to link cables!
Available e.g. www.rs-components.com,
Ordernumber 112-1798

PS4000W – Power Splitter

Signal level adjustment

CLA

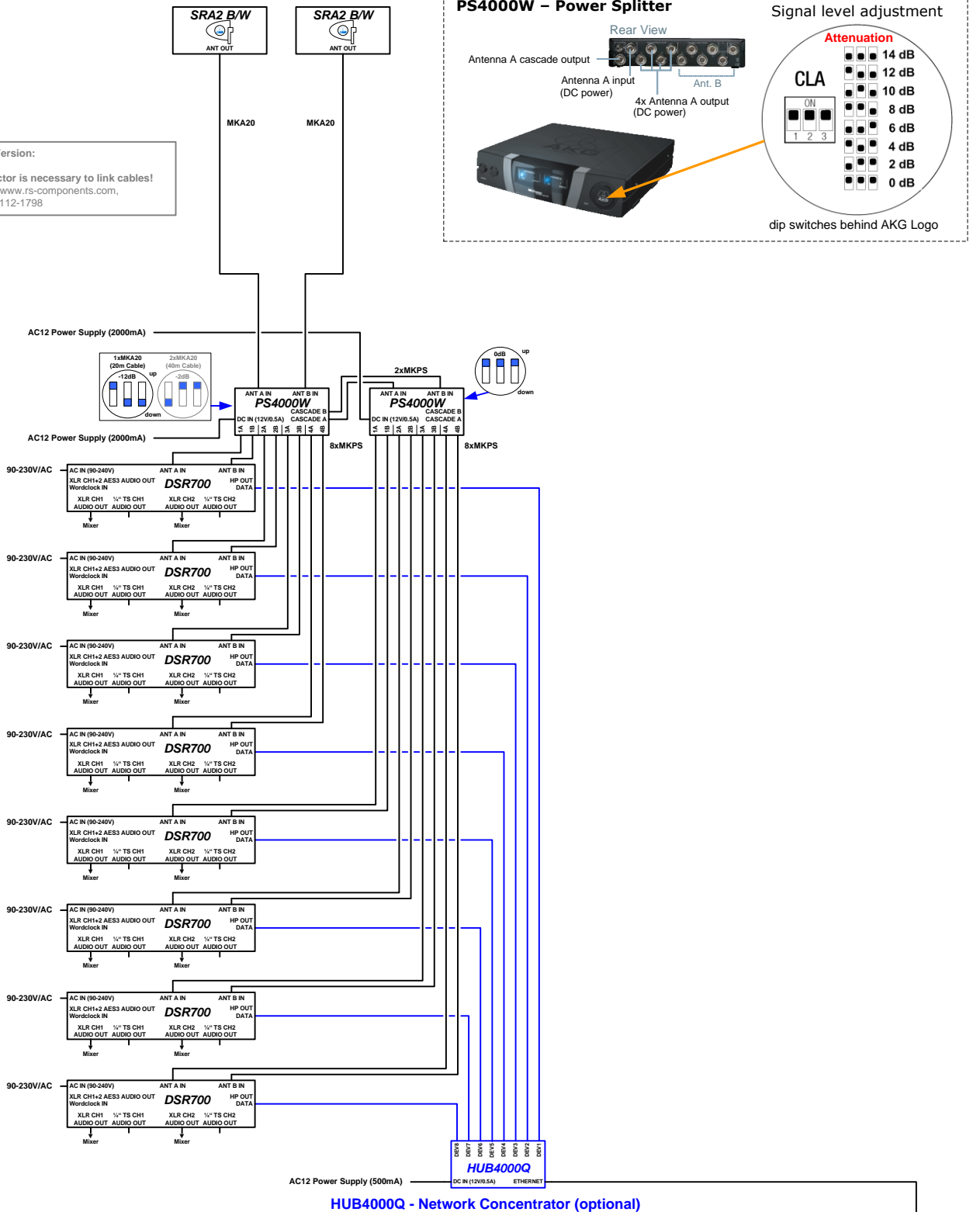
ON

1 2 3

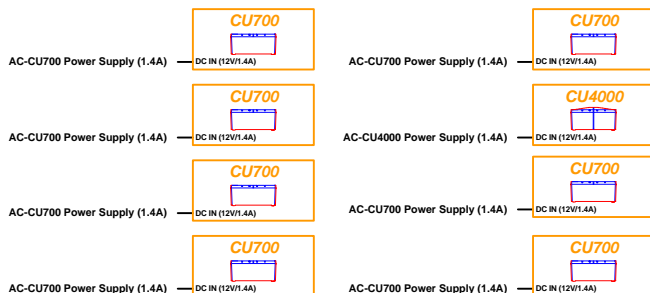
Attenuation

- 14 dB
- 12 dB
- 10 dB
- 8 dB
- 6 dB
- 4 dB
- 2 dB
- 0 dB

dip switches behind AKG Logo



16 DHT700 or DPT700 charging system (optional)



Date	23.01.2012	Revision	1.0
Designer	Wolfgang Fritz	Ref.No.	MCS0802001
Project	16 channel DMS700 system (SRA2 B/W – Antennas)		



16 Channel DMS700 System with directional antennas

units	description	comment
8	DSR700	19"-rack receiver, internal power supply; (frequency range 548.1 to 697.9 MHz or 710.1 to 864.9 MHz); 2 UHF antennas; 1 IEC cable US, 1 IEC cable EU
16	DHT700 or DPT700	Hand-held transmitter or Bodypack transmitter; (frequency range 548.1 to 697.9 MHz or 710.1 to 864.9 MHz); stand adapter or belt clip; 2 AA size dry batteries, Colour Coding Kit and Windscreen
2	PS4000W	Wide band antenna multi coupler (4+1 out) without AC-Adapter
2	AC12 2000mA EU/US/UK	12V AC-Adapter power supply PS4000W, CU700, CU4000 (you can also use a PSU4000
18	MK PS	Connecting cable for PS to SR 2.15ft (65cm)
2	MKA 20	66 ft. (20m) Cables for connecting ext. antennas to multi-couplers (2 req.) KOAX RG58
2	SRA2 B/W	External directional active "paddle" antenna with amplifier (2 req.)
2	MKA 20	66 ft. (20m) Cables for connecting ext. antennas to multi-couplers (2 req.) KOAX RG58

Additional parts for 40m(132feet) Antenna Cable		
2	MKA 20	66 ft. (20m) Cables for connecting ext. antennas to multi-couplers (2 req.) KOAX RG58
2	BNC I-connector	EXTERNAL !! Not available at AKG - BNC I-Connector (you can buy it at www.rs-components.com , Ordernumber 112-1798)

Optional Components (Charging System & PC Control System)

units	description	comment
8	CU700	Twin charger + 2 AA size rechargeable batteries for DHT 700 or DPT 700 transmitter; with AC Adapter
1	HUB4000 Q / none	Network concentrator without AC-Adapter; of 8 systems
1	AC12 500mA EU/US/UK	12V AC-Adapter for 1 ASU4000, AB4000, HUB4000 Q, SR450/470 or SR4500.
1	DHCP Net Switch + CAT5 Cable	EXTERNAL !! Not available at AKG - for 4 input to 1 output (e.g. D-Link)

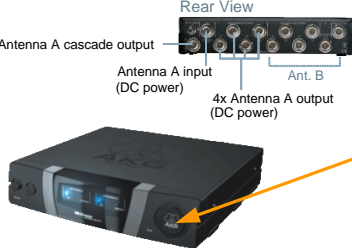
Do not forget microphone head, headset or other microphone !!

DPT 700: e.g. C555L, C520ML, C516ML, C518ML, C519ML, HC577 WR-L, CK77 WR-L, CK99L, C411L, C417L

16 Channel DMS700 System with omni-directional antennas & 20(40)m antenna cable (66 or 132 feet)

40m / 132 ft Version:
2x MKA20
BNC I-connector is necessary to link cables!
Available e.g. www.rs-components.com,
Ordernumber 112-1798

PS4000W – Power Splitter



Antenna A cascade output
Antenna A input (DC power)
4x Antenna A output (DC power)

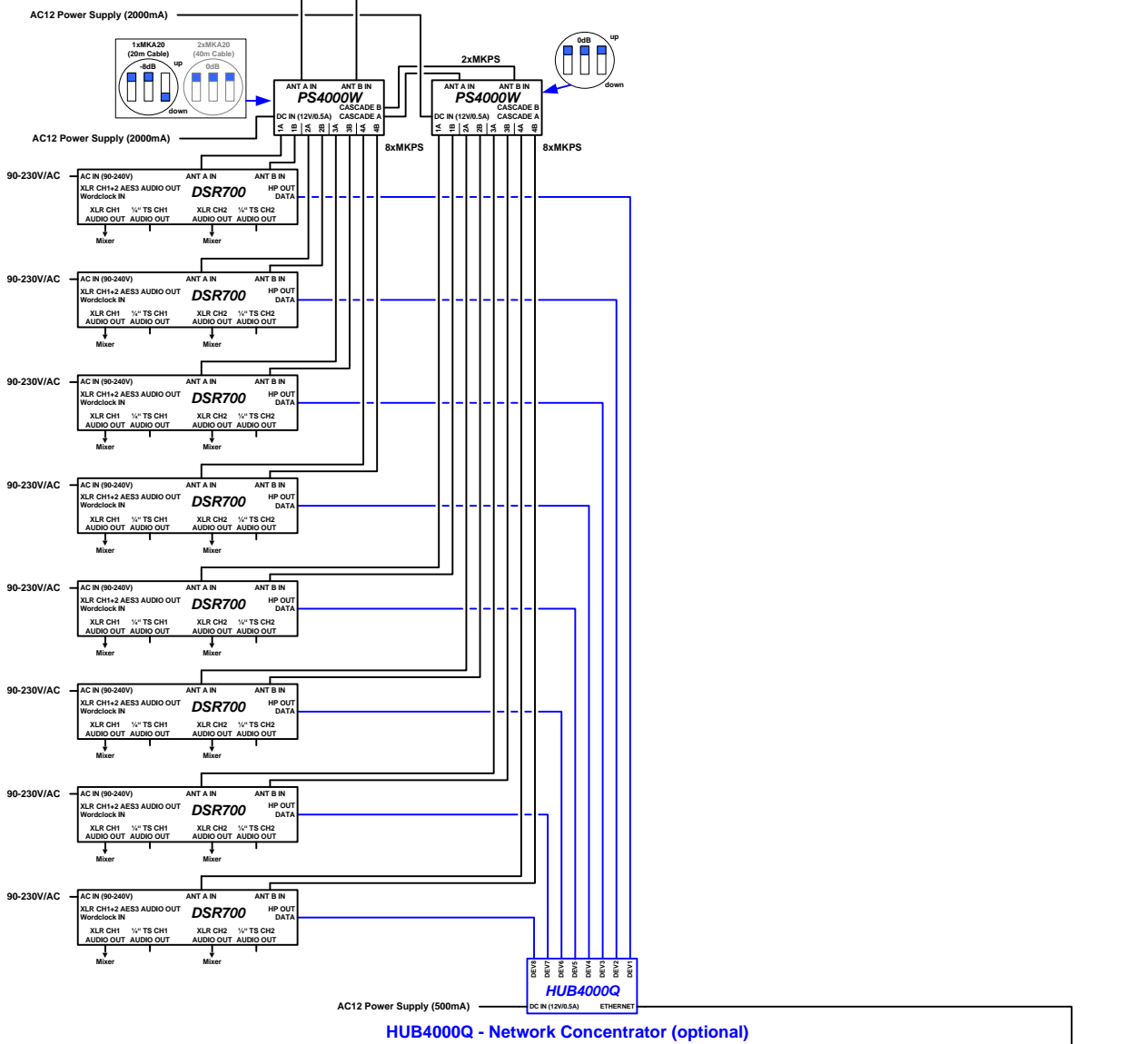
Signal level adjustment

Attenuation

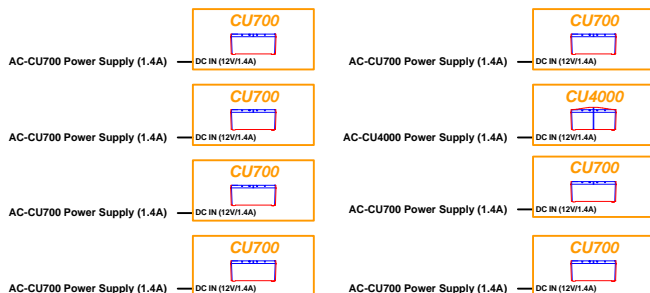
14 dB	<input type="checkbox"/>
12 dB	<input type="checkbox"/>
10 dB	<input type="checkbox"/>
8 dB	<input type="checkbox"/>
6 dB	<input type="checkbox"/>
4 dB	<input type="checkbox"/>
2 dB	<input type="checkbox"/>
0 dB	<input type="checkbox"/>

CLA
ON

dip switches behind AKG Logo



16 DHT700 or DPT700 charging system (optional)



Date	23.01.2012	Revision	1.0
Designer	Wolfgang Fritz	Ref.No.	MCS0802001
Project	16 channel DMS700 system (RA4000 B/W – Antennas)		



16 Channel DMS700 System with omni-directional antennas

units	description	comment
8	DSR700	19"-rack receiver, internal power supply; (frequency range 548.1 to 697.9 MHz or 710.1 to 864.9 MHz); 2 UHF antennas; 1 IEC cable US, 1 IEC cable EU
16	DHT700 or DPT700	Hand-held transmitter or Bodypack transmitter; (frequency range 548.1 to 697.9 MHz or 710.1 to 864.9 MHz); stand adapter or belt clip; 2 AA size dry batteries, Colour Coding Kit and Windscreen
2	PS4000W	Wide band antenna multi coupler (4+1 out) without AC-Adapter
2	AC12 2000mA EU/US/UK	12V AC-Adapter power supply PS4000W, CU700, CU4000 (you can also use a PSU4000
18	MK PS	Connecting cable for PS to SR 2.15ft (65cm)
2	MKA 20	66 ft. (20m) Cables for connecting ext. antennas to multi-couplers (2 req.) KOAX RG58
2	RA4000 B/W	External omni-directional active dipoleantenna with amplifier (2 req.)
2	MKA 20	66 ft. (20m) Cables for connecting ext. antennas to multi-couplers (2 req.) KOAX RG58

Additional parts for 40m(132feet) Antenna Cable		
2	MKA 20	66 ft. (20m) Cables for connecting ext. antennas to multi-couplers (2 req.) KOAX RG58
2	BNC I-connector	EXTERNAL !! Not available at AKG - BNC I-Connector (you can buy it at www.rs-components.com , Ordernumber 112-1798)

Optional Components (Charging System & PC Control System)

units	description	comment
8	CU700	Twin charger + 2 AA size rechargeable batteries for DHT 700 or DPT 700 transmitter; with AC Adapter
1	HUB4000 Q / none	Network concentrator without AC-Adapter; of 8 systems
1	AC12 500mA EU/US/UK	12V AC-Adapter for 1 ASU4000, AB4000, HUB4000 Q, SR450/470 or SR4500.
1	DHCP Net Switch + CAT5 Cable	EXTERNAL !! Not available at AKG - for 4 input to 1 output (e.g. D-Link)

Do not forget microphone head, headset or other microphone !!

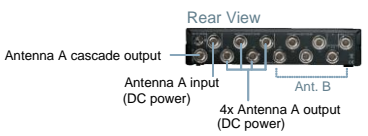
DPT 700: e.g. C555L, C520ML, C516ML, C518ML, C519ML, HC577 WR-L, CK77 WR-L, CK99L, C411L, C417L

18 Channel DMS700 System with directional antennas & 20(40)m antenna cable (66 or 132 feet)

40m / 132 ft Version:
2x MKA20
BNC I-connector is necessary to link cables!
Available e.g. www.rs-components.com,
Ordernumber 112-1798

PS4000W – Power Splitter

Rear View



Signal level adjustment

Attenuation

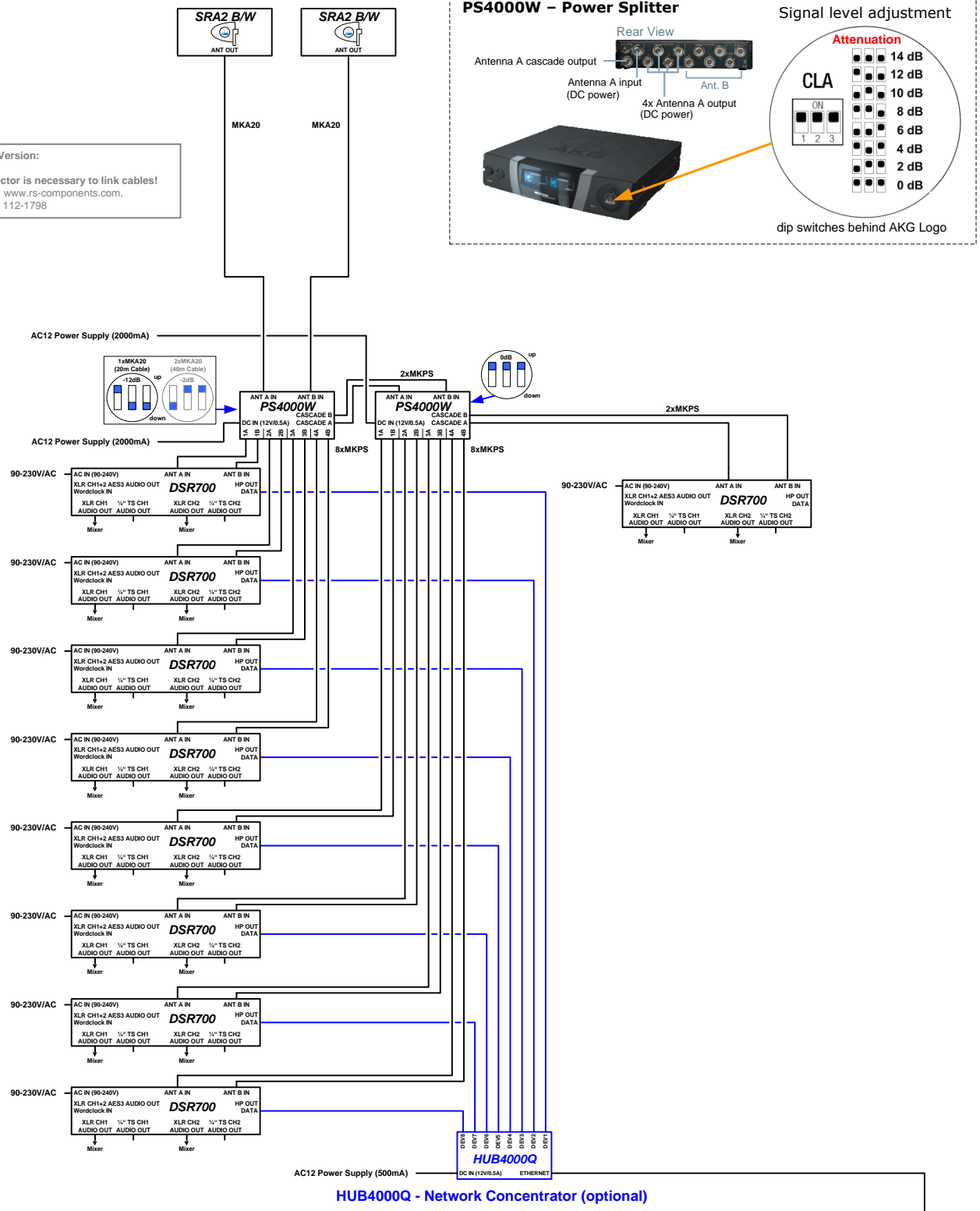
CLA

14 dB	<input type="checkbox"/>
12 dB	<input type="checkbox"/>
10 dB	<input type="checkbox"/>
8 dB	<input type="checkbox"/>
6 dB	<input type="checkbox"/>
4 dB	<input type="checkbox"/>
2 dB	<input type="checkbox"/>
0 dB	<input type="checkbox"/>



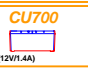
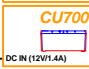

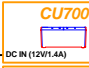
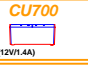
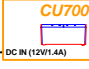
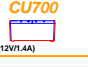

ON

1 2 3


dip switches behind AKG Logo



18 DHT700 or DPT700 charging system (optional)

AC-CU700 Power Supply (1.4A)		AC-CU700 Power Supply (1.4A)	
AC-CU700 Power Supply (1.4A)		AC-CU700 Power Supply (1.4A)	
AC-CU700 Power Supply (1.4A)		AC-CU700 Power Supply (1.4A)	
AC-CU700 Power Supply (1.4A)		AC-CU700 Power Supply (1.4A)	
AC-CU700 Power Supply (1.4A)		AC-CU700 Power Supply (1.4A)	

Date	23.01.2012	Revision	1.0
Designer	Wolfgang Fritz	Ref.No.	MCS0802001
Project	18 channel DMS700 system (SRA2 B/W – Antennas)		



18 Channel DMS700 System with directional antennas

units	description	comment
9	DSR700	19"-rack receiver, internal power supply; (frequency range 548.1 to 697.9 MHz or 710.1 to 864.9 MHz); 2 UHF antennas; 1 IEC cable US, 1 IEC cable EU
18	DHT700 or DPT700	Hand-held transmitter or Bodypack transmitter; (frequency range 548.1 to 697.9 MHz or 710.1 to 864.9 MHz); stand adapter or belt clip; 2 AA size dry batteries, Colour Coding Kit and Windscreen
2	PS4000W	Wide band antenna multi coupler (4+1 out) without AC-Adapter
2	AC12 2000mA EU/US/UK	12V AC-Adapter power supply PS4000W, CU700, CU4000 (you can also use a PSU4000
20	MK PS	Connecting cable for PS to SR 2.15ft (65cm)
2	MKA 20	66 ft. (20m) Cables for connecting ext. antennas to multi-couplers (2 req.) KOAX RG58
2	SRA2 B/W	External directional active "paddle" antenna with amplifier (2 req.)
2	MKA 20	66 ft. (20m) Cables for connecting ext. antennas to multi-couplers (2 req.) KOAX RG58

Additional parts for 40m(132feet) Antenna Cable		
2	MKA 20	66 ft. (20m) Cables for connecting ext. antennas to multi-couplers (2 req.) KOAX RG58
2	BNC I-connector	EXTERNAL !! Not available at AKG - BNC I-Connector (you can buy it at www.rs-components.com , Ordernumber 112-1798)

Optional Components (Charging System & PC Control System)

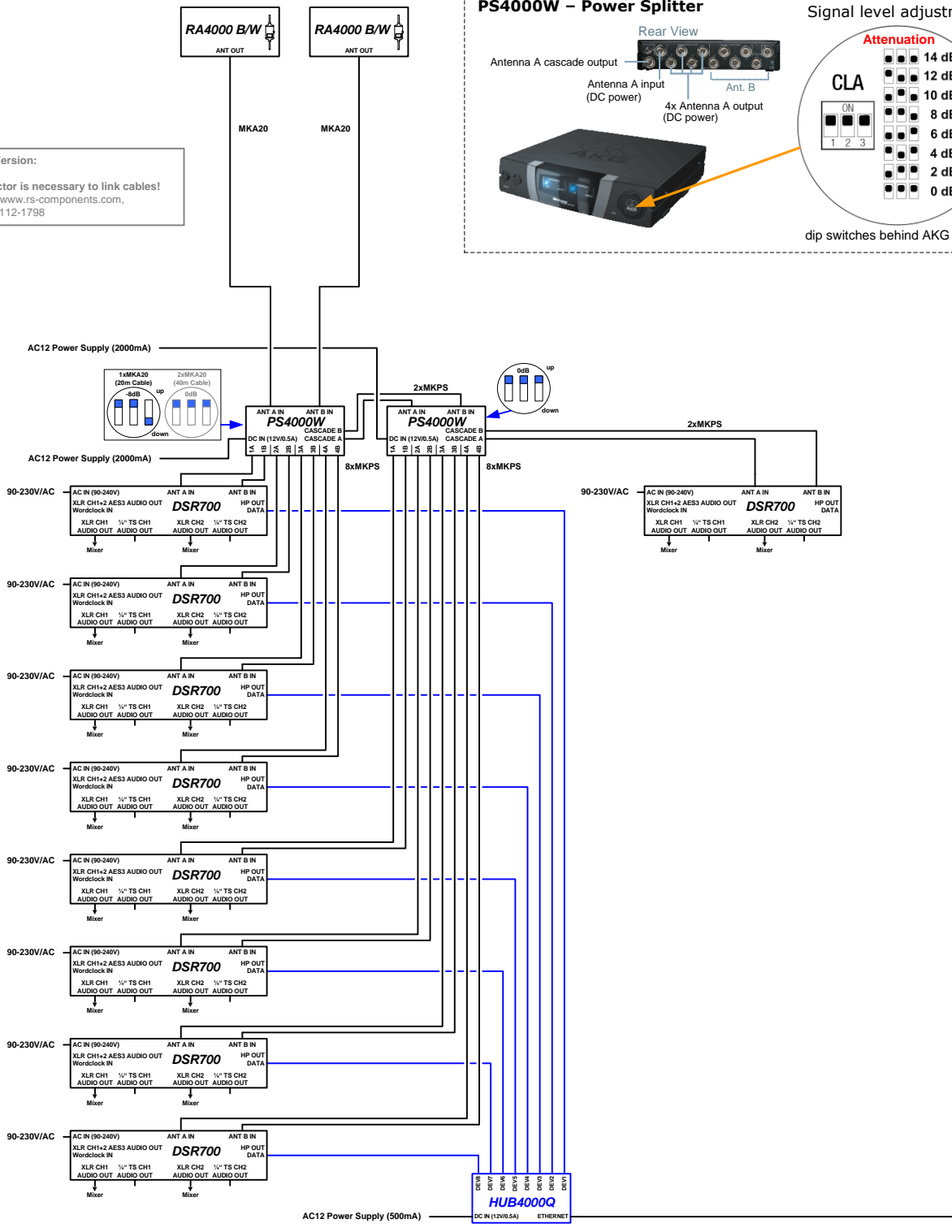
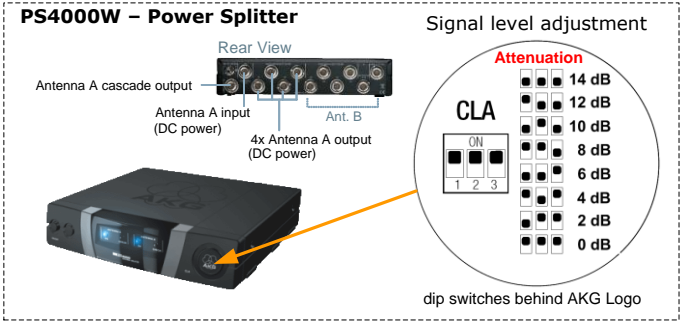
units	description	comment
9	CU700	Twin charger + 2 AA size rechargeable batteries for DHT 700 or DPT 700 transmitter; with AC Adapter
1	HUB4000 Q / none	Network concentrator without AC-Adapter; of 8 systems
1	AC12 500mA EU/US/UK	12V AC-Adapter for 1 ASU4000, AB4000, HUB4000 Q, SR450/470 or SR4500.
1	DHCP Net Switch + CAT5 Cable	EXTERNAL !! Not available at AKG - for 4 input to 1 output (e.g. D-Link)

Do not forget microphone head, headset or other microphone !!

DPT 700: e.g. C555L, C520ML, C516ML, C518ML, C519ML, HC577 WR-L, CK77 WR-L, CK99L, C411L, C417L

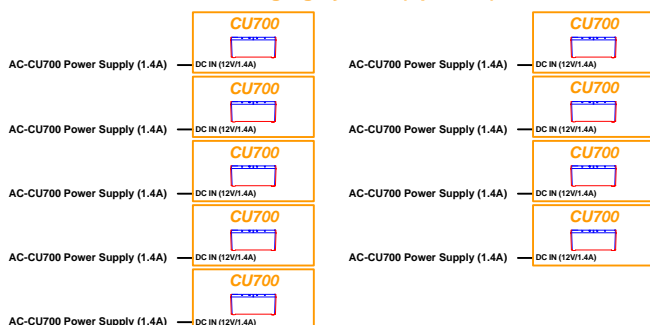
18 Channel DMS700 System with omni-directional antennas & 20(40)m antenna cable (66 or 132 feet)

40m / 132 ft Version:
2x MKA20
BNC I-connector is necessary to link cables!
Available e.g. www.rs-components.com,
Ordernumber 112-1798



HUB4000Q - Network Concentrator (optional)

18 DHT700 or DPT700 charging system (optional)



Date	23.01.2012	Revision	1.0
Designer	Wolfgang Fritz	Ref.No.	MCS0802001
Project	18 channel DMS700 system (RA4000 B/W - Antennas)		



18 Channel DMS700 System with omni-directional antennas

units	description	comment
9	DSR700	19"-rack receiver, internal power supply; (frequency range 548.1 to 697.9 MHz or 710.1 to 864.9 MHz); 2 UHF antennas; 1 IEC cable US, 1 IEC cable EU
18	DHT700 or DPT700	Hand-held transmitter or Bodypack transmitter; (frequency range 548.1 to 697.9 MHz or 710.1 to 864.9 MHz); stand adapter or belt clip; 2 AA size dry batteries, Colour Coding Kit and Windscreen
2	PS4000W	Wide band antenna multi coupler (4+1 out) without AC-Adapter
2	AC12 2000mA EU/US/UK	12V AC-Adapter power supply PS4000W, CU700, CU4000 (you can also use a PSU4000
20	MK PS	Connecting cable for PS to SR 2.15ft (65cm)
2	MKA 20	66 ft. (20m) Cables for connecting ext. antennas to multi-couplers (2 req.) KOAX RG58
2	RA4000 B/W	External omni-directional active dipoleantenna with amplifier (2 req.)
2	MKA 20	66 ft. (20m) Cables for connecting ext. antennas to multi-couplers (2 req.) KOAX RG58

Additional parts for 40m(132feet) Antenna Cable		
2	MKA 20	66 ft. (20m) Cables for connecting ext. antennas to multi-couplers (2 req.) KOAX RG58
2	BNC I-connector	EXTERNAL !! Not available at AKG - BNC I-Connector (you can buy it at www.rs-components.com , Ordernumber 112-1798)

Optional Components (Charging System & PC Control System)

units	description	comment
9	CU700	Twin charger + 2 AA size rechargeable batteries for DHT 700 or DPT 700 transmitter; with AC Adapter
1	HUB4000 Q / none	Network concentrator without AC-Adapter; of 8 systems
1	AC12 500mA EU/US/UK	12V AC-Adapter for 1 ASU4000, AB4000, HUB4000 Q, SR450/470 or SR4500.
1	DHCP Net Switch + CAT5 Cable	EXTERNAL !! Not available at AKG - for 4 input to 1 output (e.g. D-Link)

Do not forget microphone head, headset or other microphone !!

DPT 700: e.g. C555L, C520ML, C516ML, C518ML, C519ML, HC577 WR-L, CK77 WR-L, CK99L, C411L, C417L

24 Channel DMS700 System with directional antennas & 20(40)m antenna cable (66 or 132 feet)

40m / 132 ft Version:
2x MKA20
BNC I-connector is necessary to link cables!
Available e.g. www.rs-components.com,
Ordernumber 112-1798

PS4000W – Power Splitter

Signal level adjustment

Attenuation

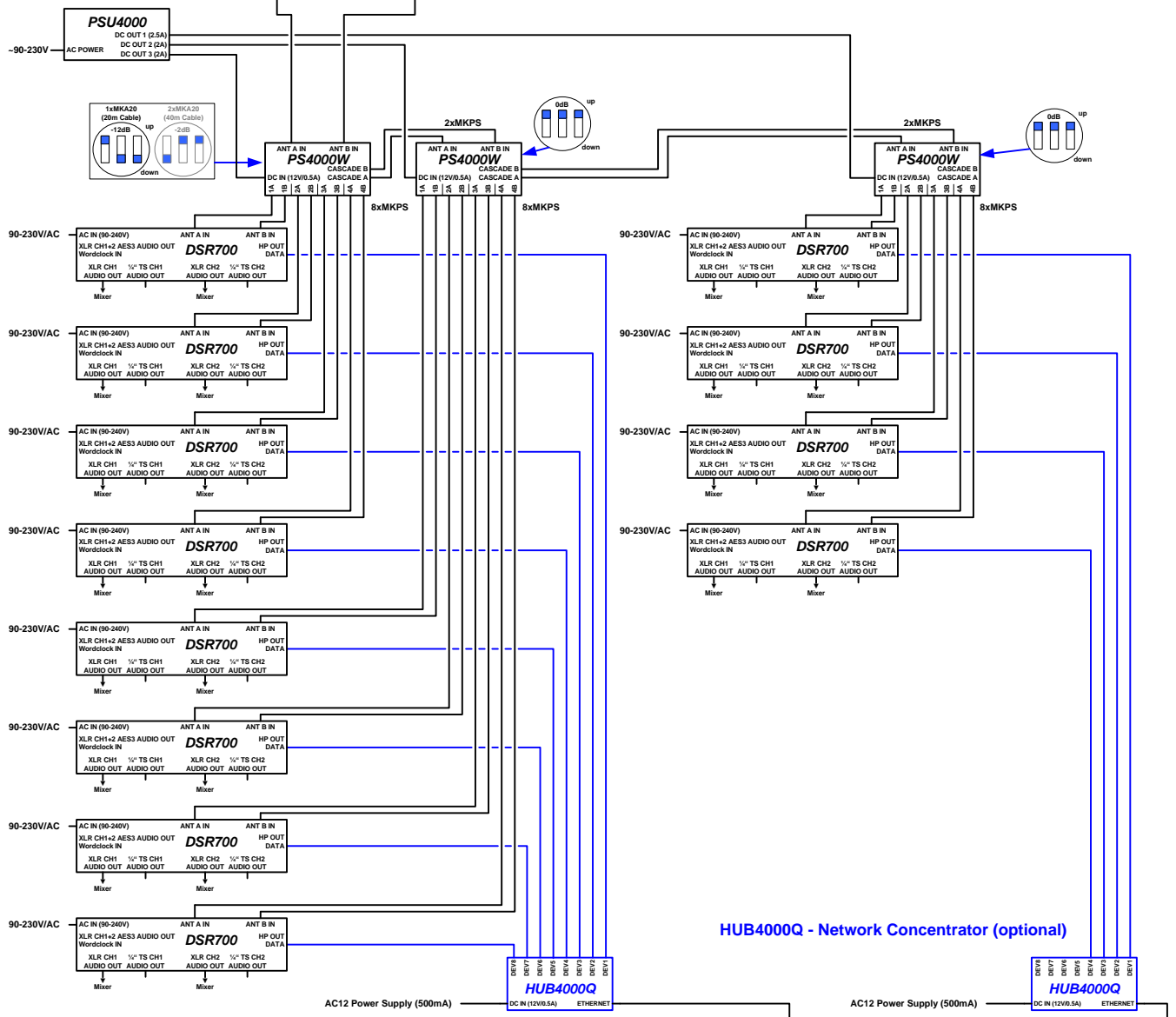
CLA

<input type="checkbox"/>	14 dB
<input type="checkbox"/>	12 dB
<input type="checkbox"/>	10 dB
<input type="checkbox"/>	8 dB
<input type="checkbox"/>	6 dB
<input type="checkbox"/>	4 dB
<input type="checkbox"/>	2 dB
<input type="checkbox"/>	0 dB

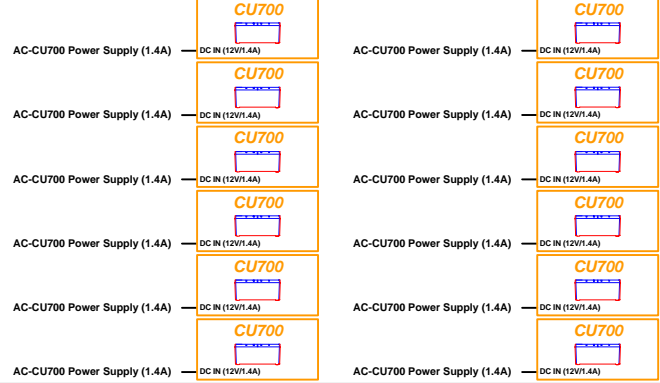
ON

1 2 3

dip switches behind AKG Logo



24 DHT700 or DPT700 charging system (optional)



Date	23.01.2012	Revision	1.0
Designer	Wolfgang Fritz	Ref.No.	MCS0802001
Project	24 channel DMS700 system (SRA2 B/W – Antennas)		



24 Channel DMS700 System with directional antennas

units	description	comment
12	DSR700	19"-rack receiver, internal power supply; (frequency range 548.1 to 697.9 MHz or 710.1 to 864.9 MHz); 2 UHF antennas; 1 IEC cable US, 1 IEC cable EU
24	DHT700 or DPT700	Hand-held transmitter or Bodypack transmitter; (frequency range 548.1 to 697.9 MHz or 710.1 to 864.9 MHz); stand adapter or belt clip; 2 AA size dry batteries, Colour Coding Kit and Windscreen
3	PS4000W	Wide band antenna multi coupler (4+1 out) without AC-Adapter
1	PSU4000	Central Power supply unit for powering up to 1 HUB4000 Q, CU700, CU4000 or up to 12 SR450/470/4500 receivers via PS 4000, IEC mains cable
28	MK PS	Connecting cable for PS to SR 2.15ft (65cm)
2	MKA 20	66 ft. (20m) Cables for connecting ext. antennas to multi-couplers (2 req.) KOAX RG58
2	SRA2 B/W	External directional active "paddle" antenna with amplifier (2 req.)
2	MKA 20	66 ft. (20m) Cables for connecting ext. antennas to multi-couplers (2 req.) KOAX RG58

Additional parts for 40m(132feet) Antenna Cable		
2	MKA 20	66 ft. (20m) Cables for connecting ext. antennas to multi-couplers (2 req.) KOAX RG58
2	BNC I-connector	EXTERNAL !! Not available at AKG - BNC I-Connector (you can buy it at www.rs-components.com , Ordernumber 112-1798)

Optional Components (Charging System & PC Control System)

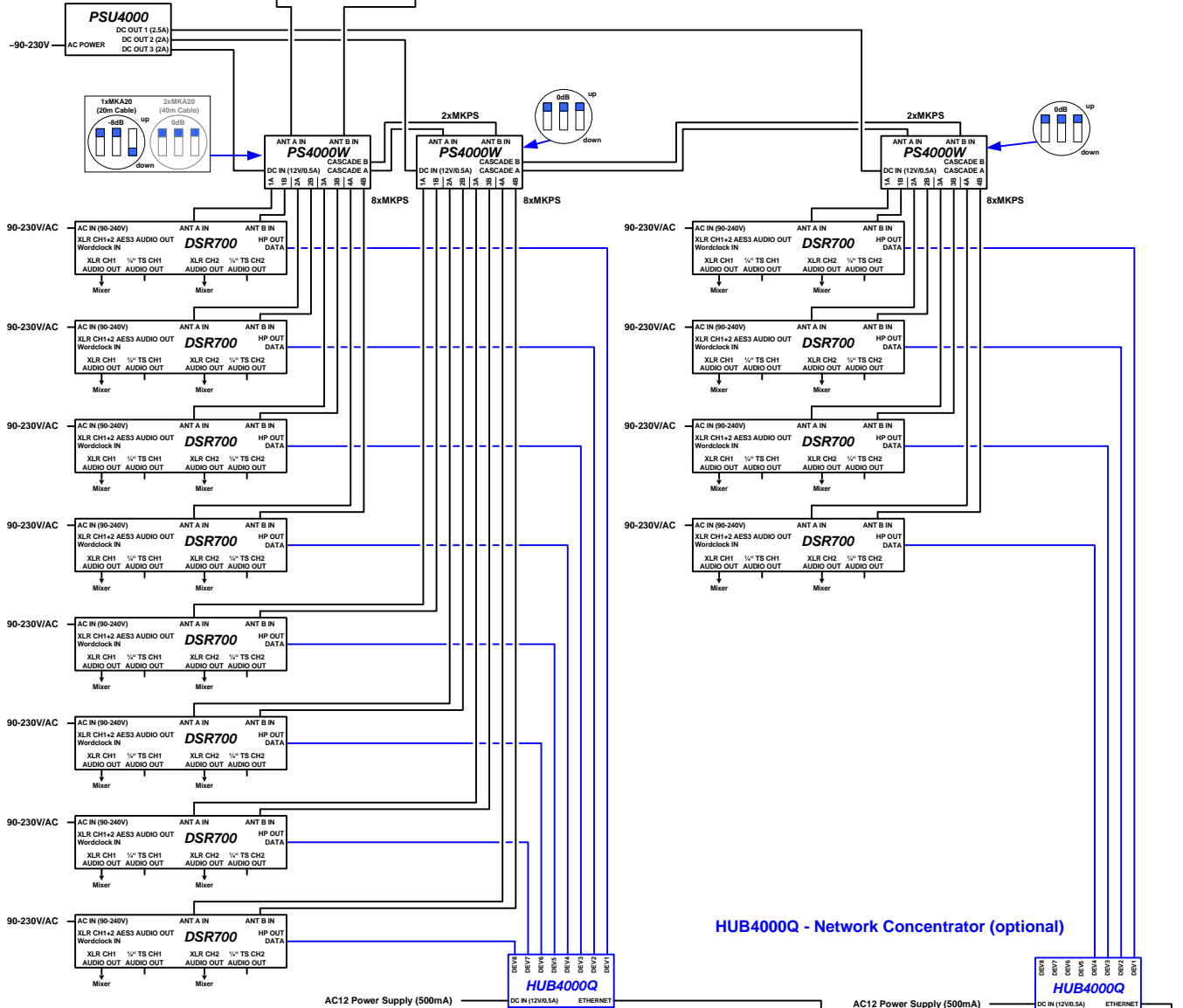
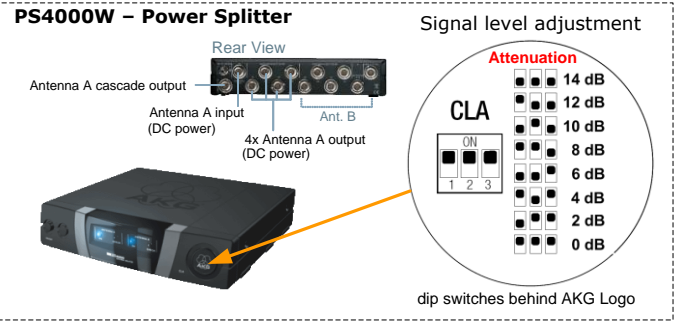
units	description	comment
12	CU700	Twin charger + 2 AA size rechargeable batteries for DHT 700 or DPT 700 transmitter; with AC Adapter
2	HUB4000 Q / none	Network concentrator without AC-Adapter; of 8 systems
2	AC12 500mA EU/US/UK	12V AC-Adapter for 1 ASU4000, AB4000, HUB4000 Q, SR450/470 or SR4500.
1	DHCP Net Switch + CAT5 Cable	EXTERNAL !! Not available at AKG - for 4 input to 1 output (e.g. D-Link)

Do not forget microphone head, headset or other microphone !!

DPT 700: e.g. C555L, C520ML, C516ML, C518ML, C519ML, HC577 WR-L, CK77 WR-L, CK99L, C411L, C417L

24 Channel DMS700 System with omni-directional antennas & 20(40)m antenna cable (66 or 132 feet)

40m / 132 ft Version:
2x MKA20
BNC I-connector is necessary to link cables!
Available e.g. www.rs-components.com,
Ordernumber 112-1798



HUB4000Q - Network Concentrator (optional)

Date	23.01.2012	Revision	1.0
Designer	Wolfgang Fritz	Ref.No.	MCS0802001
Project	24 channel DMS700 system (RA4000 B/W – Antennas)		



24 Channel DMS700 System with omni-directional antennas

units	description	comment
12	DSR700	19"-rack receiver, internal power supply; (frequency range 548.1 to 697.9 MHz or 710.1 to 864.9 MHz); 2 UHF antennas; 1 IEC cable US, 1 IEC cable EU
24	DHT700 or DPT700	Hand-held transmitter or Bodypack transmitter; (frequency range 548.1 to 697.9 MHz or 710.1 to 864.9 MHz); stand adapter or belt clip; 2 AA size dry batteries, Colour Coding Kit and
3	PS4000W	Wide band antenna multi coupler (4+1 out) without AC-Adapter
1	PSU4000	Central Power supply unit for powering up to 1 HUB4000 Q, CU700, CU4000 or up to 12 SR450/470/4500 receivers via PS 4000, IEC mains cable
28	MK PS	Connecting cable for PS to SR 2.15ft (65cm)
2	MKA 20	66 ft. (20m) Cables for connecting ext. antennas to multi-couplers (2 req.) KOAX RG58
2	RA4000 B/W	External omni-directional active dipoleantenna with amplifier (2 req.)
2	MKA 20	66 ft. (20m) Cables for connecting ext. antennas to multi-couplers (2 req.) KOAX RG58

Additional parts for 40m(132feet) Antenna Cable

2	MKA 20	66 ft. (20m) Cables for connecting ext. antennas to multi-couplers (2 req.) KOAX RG58
2	BNC I-connector	EXTERNAL !! Not available at AKG - BNC I-Connector (you can buy it at www.rs-components.com , Ordernumber 112-1798)

Optional Components (Charging System & PC Control System)

units	description	comment
12	CU700	Twin charger + 2 AA size rechargeable batteries for DHT 700 or DPT 700 transmitter; with AC Adapter
2	HUB4000 Q / none	Network concentrator without AC-Adapter; of 8 systems
2	AC12 500mA EU/US/UK	12V AC-Adapter for 1 ASU4000, AB4000, HUB4000 Q, SR450/470 or SR4500.
1	DHCP Net Switch + CAT5 Cable	EXTERNAL !! Not available at AKG - for 4 input to 1 output (e.g. D-Link)

Do not forget microphone head, headset or other microphone !!

DPT 700: e.g. C555L, C520ML, C516ML, C518ML, C519ML, HC577 WR-L, CK77 WR-L, CK99L, C411L, C417L

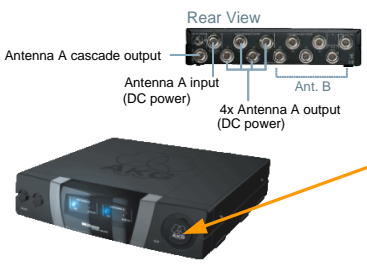
32 Channel DMS700 System with directional antennas & 20(40)m antenna cable (66 or 132 feet)

PS4000W – Power Splitter

Rear View

Antenna A cascade output Ant. B

Antenna A input (DC power) 4x Antenna A output (DC power)



Signal level adjustment

Attenuation

14 dB
12 dB
10 dB
8 dB
6 dB
4 dB
2 dB
0 dB

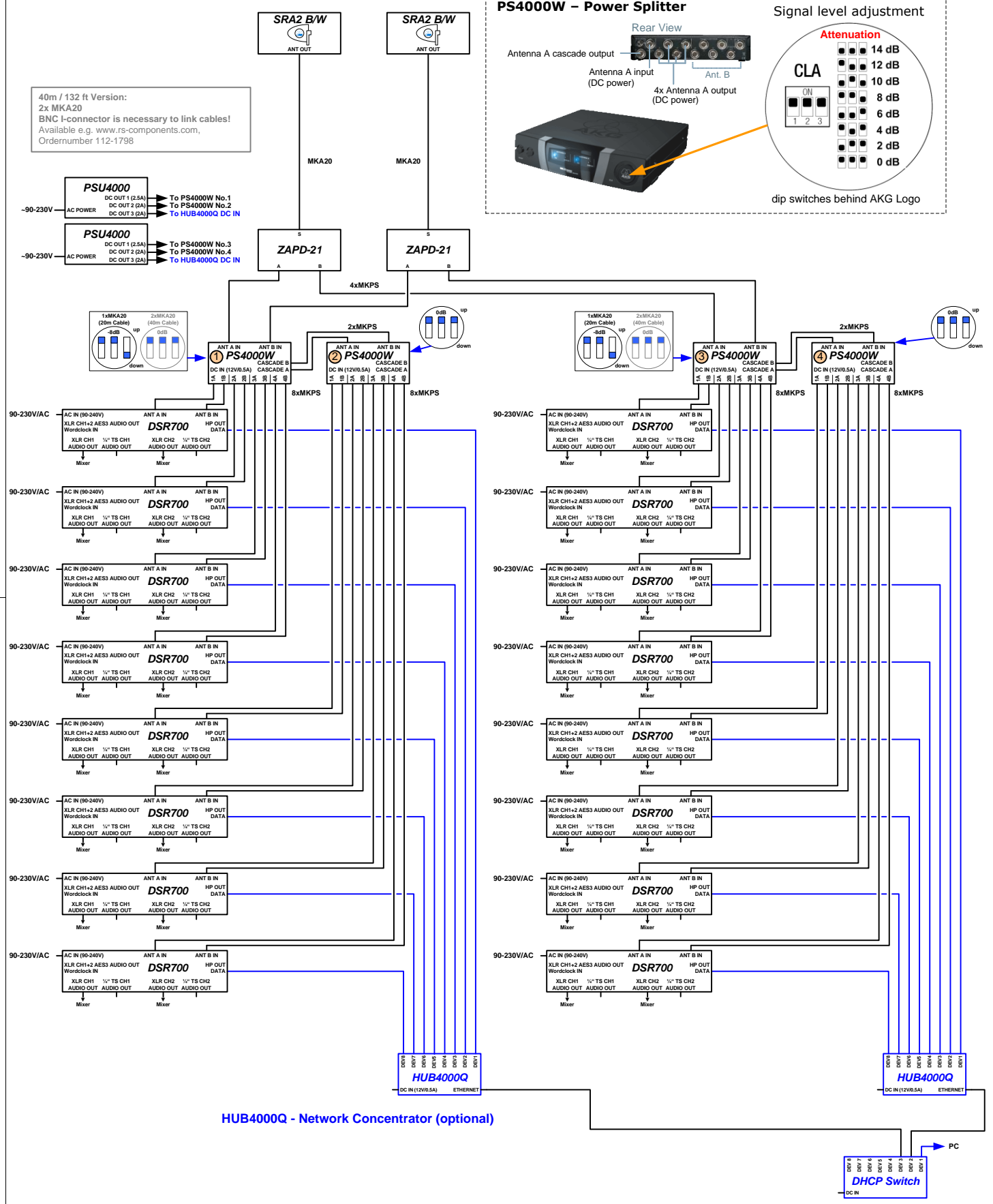
CLA

ON

1 2 3

dip switches behind AKG Logo

40m / 132 ft Version:
2x MKA20
BNC I-connector is necessary to link cables!
Available e.g. www.rs-components.com,
Ordernumber 112-1798



HUB4000Q - Network Concentrator (optional)

Date	23.01.2012	Revision	1.0
Designer	Wolfgang Fritz	Ref.No.	MCS0802001
Project	32 channel DMS700 system (SRA2 B/W – Antennas)		



32 Channel DMS700 System with directional antennas

units	description	comment
16	DSR700	19"-rack receiver, internal power supply; (frequency range 548.1 to 697.9 MHz or 710.1 to 864.9 MHz); 2 UHF antennas; 1 IEC cable US, 1 IEC cable EU
32	DHT700 or DPT700	Hand-held transmitter or Bodypack transmitter; (frequency range 548.1 to 697.9 MHz or 710.1 to 864.9 MHz); stand adapter or belt clip; 2 AA size dry batteries, Colour Coding Kit and Windscreen
4	PS4000W	Wide band antenna multi coupler (4+1 out) without AC-Adapter
2	PSU4000	Central Power supply unit for powering up to 1 HUB4000 Q, CU700, CU4000 or up to 12 SR450/470/4500 receivers via PS 4000, IEC mains cable
2	ZAPD21	passive power combiner (2in 1out) or Splitter (1in 2out)
40	MK PS	Connecting cable for PS to SR 2.15ft (65cm)
2	MKA 20	66 ft. (20m) Cables for connecting ext. antennas to multi-couplers (2 req.) KOAX RG58
2	SRA2 B/W	External directional active "paddle" antenna with amplifier (2 req.)
2	MKA 20	66 ft. (20m) Cables for connecting ext. antennas to multi-couplers (2 req.) KOAX RG58

Additional parts for 40m(132feet) Antenna Cable		
2	MKA 20	66 ft. (20m) Cables for connecting ext. antennas to multi-couplers (2 req.) KOAX RG58
2	BNC I-connector	EXTERNAL !! Not available at AKG - BNC I-Connector (you can buy it at www.rs-components.com , Ordernumber 112-1798)

Optional Components (Charging System & PC Control System)

units	description	comment
16	CU700	Twin charger + 2 AA size rechargeable batteries for DHT 700 or DPT 700 transmitter; with AC Adapter
2	HUB4000 Q / none	Network concentrator without AC-Adapter; of 8 systems
2	AC12 500mA EU/US/UK	12V AC-Adapter for 1 ASU4000, AB4000, HUB4000 Q, SR450/470 or SR4500.
1	DHCP Net Switch + CAT5 Cable	EXTERNAL !! Not available at AKG - for 4 input to 1 output (e.g. D-Link)

Do not forget microphone head, headset or other microphone !!

DPT 700: e.g. C555L, C520ML, C516ML, C518ML, C519ML, HC577 WR-L, CK77 WR-L, CK99L, C411L, C417L

32 Channel WMS700 System with omni-directional antennas & 20m antenna cable (66 feet)

PS4000W – Power Splitter

Signal level adjustment

Attenuation

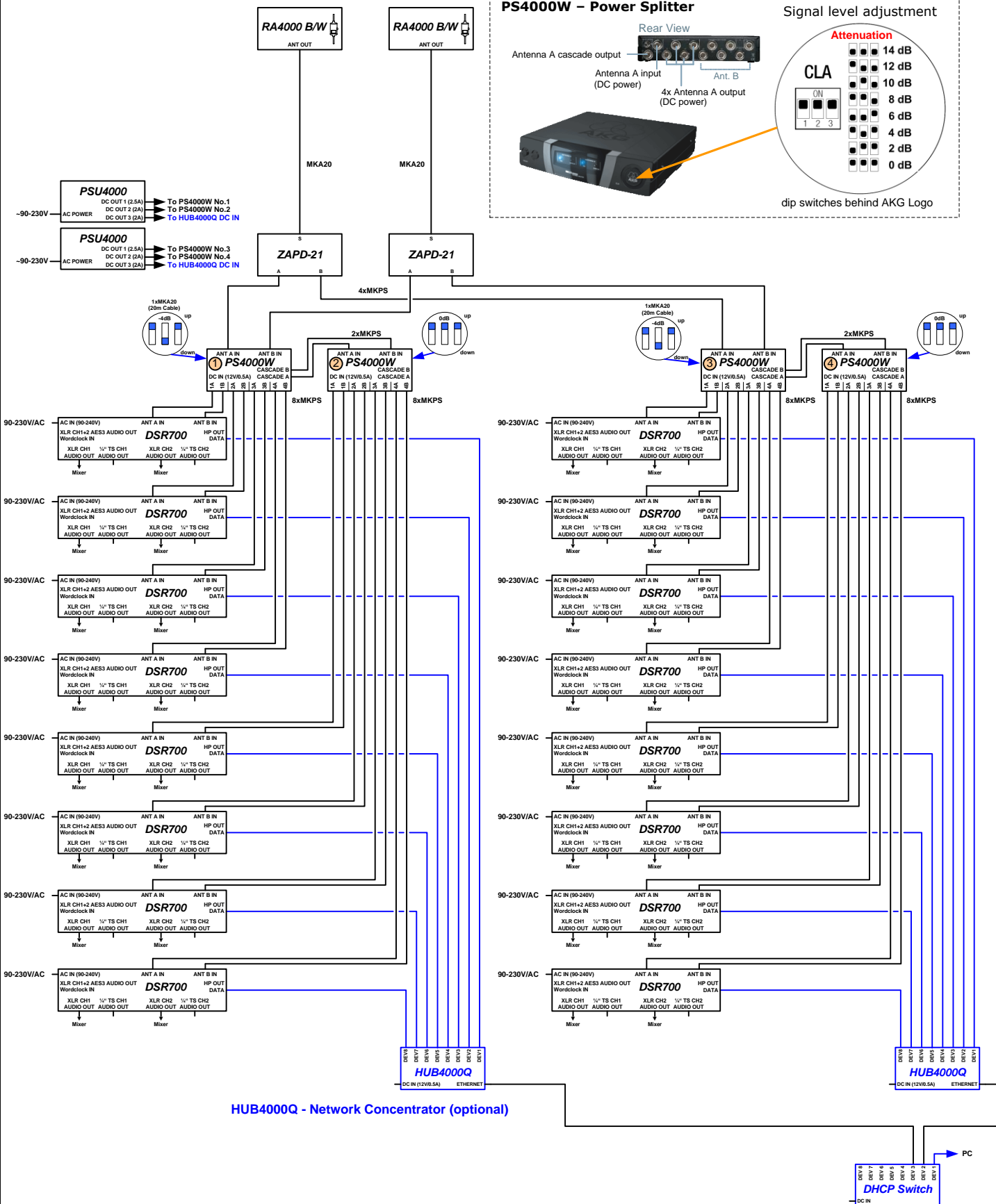
CLA

ON

1 2 3

- 14 dB
- 12 dB
- 10 dB
- 8 dB
- 6 dB
- 4 dB
- 2 dB
- 0 dB

dip switches behind AKG Logo



HUB4000Q - Network Concentrator (optional)

Date 23.01.2012	Revision 1.0
Designer Wolfgang Fritz	Ref.No. MCS0802001
Project 32 channel DMS700 system (RA4000 B/W – Antennas)	



32 Channel DMS700 System with omni-directional antennas

units	description	comment
16	DSR700	19"-rack receiver, internal power supply; (frequency range 548.1 to 697.9 MHz or 710.1 to 864.9 MHz); 2 UHF antennas; 1 IEC cable US, 1 IEC cable EU
32	DHT700 or DPT700	Hand-held transmitter or Bodypack transmitter; (frequency range 548.1 to 697.9 MHz or 710.1 to 864.9 MHz); stand adapter or belt clip; 2 AA size dry batteries, Colour Coding Kit and Windscreen
4	PS4000W	Wide band antenna multi coupler (4+1 out) without AC-Adapter
2	PSU4000	Central Power supply unit for powering up to 1 HUB4000 Q, CU700, CU4000 or up to 12 SR450/470/4500 receivers via PS 4000, IEC mains cable
2	ZAPD21	passive power combiner (2in 1out) or Splitter (1in 2out)
40	MK PS	Connecting cable for PS to SR 2.15ft (65cm)
2	MKA 20	66 ft. (20m) Cables for connecting ext. antennas to multi-couplers (2 req.) KOAX RG58
2	RA4000 B/W	External omni-directional active dipoleantenna with amplifier (2 req.)
2	PSU4000	Central Power supply unit for powering up to 1 HUB4000 Q, CU700, CU4000 or up to 12 SR450/470/4500 receivers via PS 4000, IEC mains cable

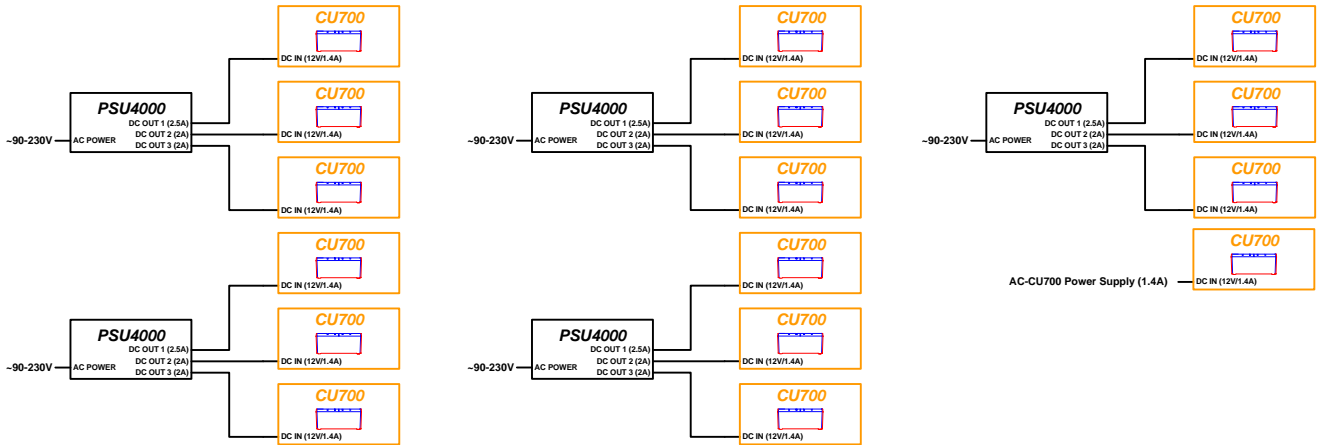
Optional Components (Charging System & PC Control System)

units	description	comment
16	CU700	Twin charger + 2 AA size rechargeable batteries for DHT 700 or DPT 700 transmitter; with AC Adapter
2	HUB4000 Q / none	Network concentrator without AC-Adapter; of 8 systems
2	AC12 500mA EU/US/UK	12V AC-Adapter for 1 ASU4000, AB4000, HUB4000 Q, SR450/470 or SR4500.
1	DHCP Net Switch + CAT5 Cable	EXTERNAL !! Not available at AKG - for 4 input to 1 output (e.g. D-Link)

Do not forget microphone head, headset or other microphone !!

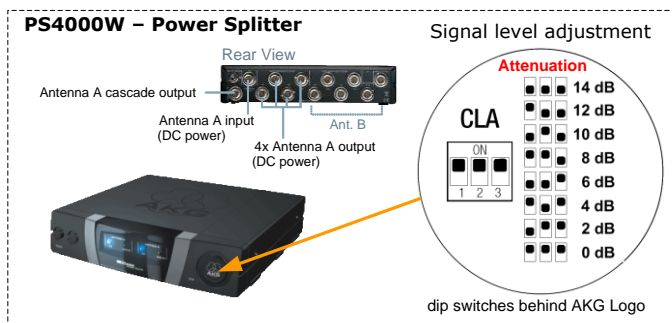
DPT 700: e.g. C555L, C520ML, C516ML, C518ML, C519ML, HC577 WR-L, CK77 WR-L, CK99L, C411L, C417L

32 Channel DMS700 Charging System



If you don't want to use PSU4000 for optional components, you can also use AC-CU700 Power Supply for CU700's and AC12 Power Supply for the PS4000W and HUB4000Q's

PS4000W Technical Information



Date	23.01.2012	Revision	1.0
Designer	Wolfgang Fritz	Ref.No.	MCS0802001
Project	32 channel DMS700 charging system		

