

DMS 700 /V2

Service Manual 01/12

AKG Service Department
Lemböckgasse 21-25
A-1230 Wien, Austria
Phone: (+431) 86654-0
Fax: (+431) 86654-1514
e-mail: service@akg.com

AKG Acoustics GmbH · A-1230 Wien, Lemböckgasse 21-25, POB 158 · Tel.: +43 1 866 54-0, Fax: +43 1 866 54-8800

Bank Austria AG, Konto-Nr. 237 104 004/00, BLZ 12000 · DVR: 0035327, ARA-Nr. 3555 · Offenlegung nach § 14 HGB, Firmensitz Wien, Firmenbuch-Nr. FN 107732f, Handelsgericht Wien

www.akg.com

H A Harman International Company



Table of contents:

The complete DSM 700 family	3	Die komplette DMS 700 Familie
DHT 700 Digital handheld transmitter	4	DHT 700 Digitaler Handsender
DPT 700 Digital bodypack transmitter	7	DPT 700 Digitaler Taschensender
DSR 700 Digital stationary receiver	9	DSR 700 Digital Empfänger
CU 700 Charging unit	13	CU 700 Ladegerät

Last modification :

V2 added
Page 11, screw quantity corrected
Page 13, added CU700
Page 4, corrected wiring
front panel number removed
D7 version added
Page 11, pos 21 new number
Page 6, add dismantle DHT700



DHT 700
Digital handheld
transmitter



DPT 700
Digital bodypack
transmitter



CU 700
Charging unit



DSR 700
Digital stationary
receiver

Mains cable:

EU 0110E03160
US 0110E03170

DSR 700 Antenna:

Band 1 (long) 9999N07440
Band 2 (short) 9999N07450
Front mount cable 0110E01890

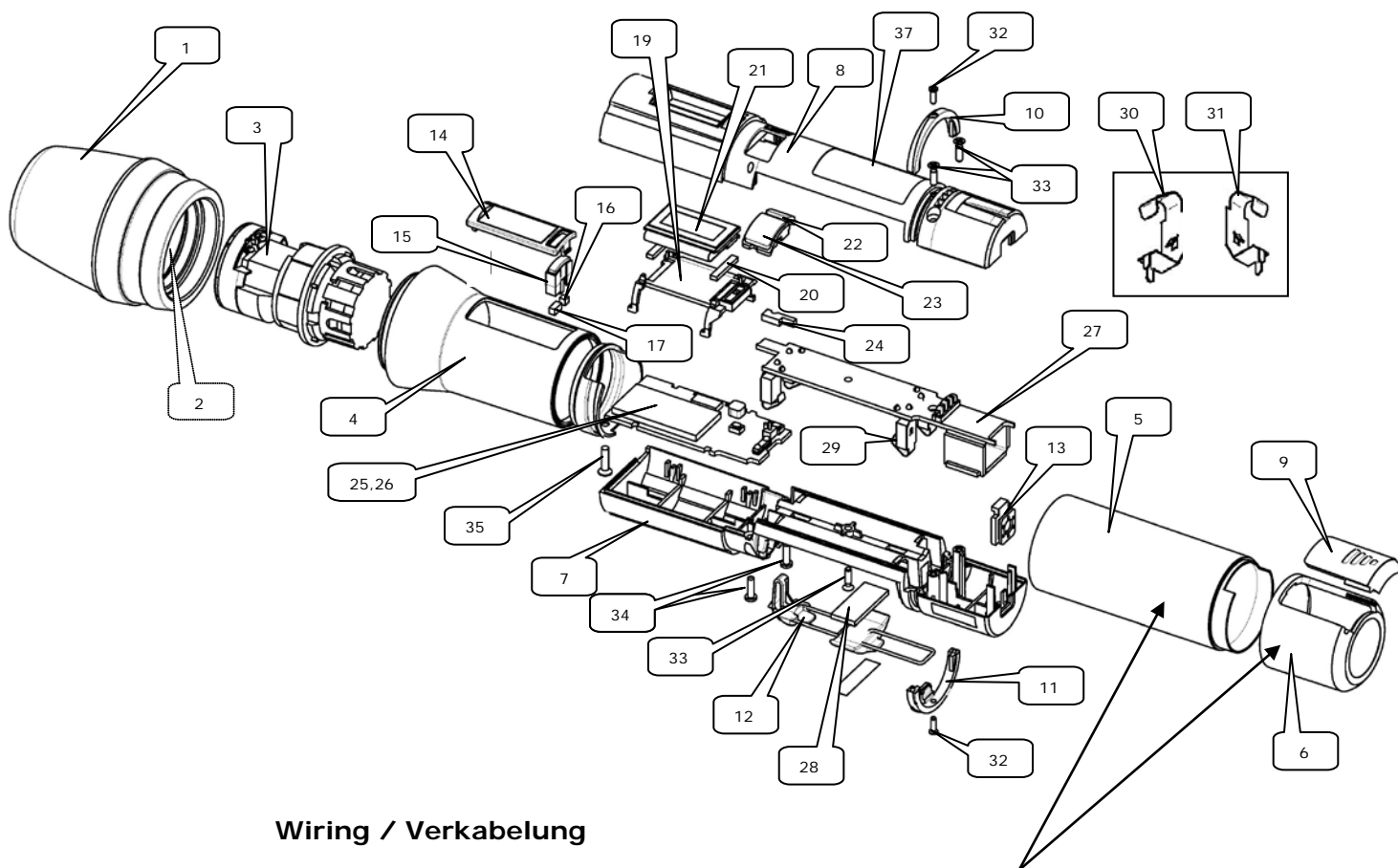
Manual:

User manual V1 9100U12810
User manual V2 9100U13560

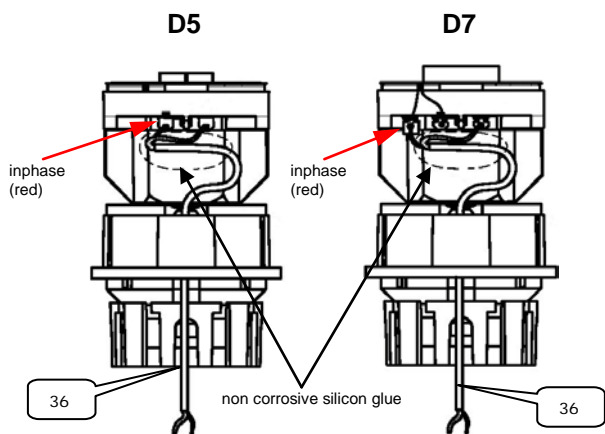
Frequency range, Mhz,	
Band 1	548,100 – 697,900 / 50mW
Band 2	710,100 – 861,900 / 50mW
	863,100 – 864,900 / 10mW

For information about PSU4000, HUB4000Q, PS4000 and antenna system SRA2B/W, RA4000B/W, AB4000 and ASU4000 please refer to the WMS4000/4500 Service information.

DHT 700 D5 3157Z00...
 DHT 700 C5 3157Z00...
 DHT 700 D7 3157Z00...



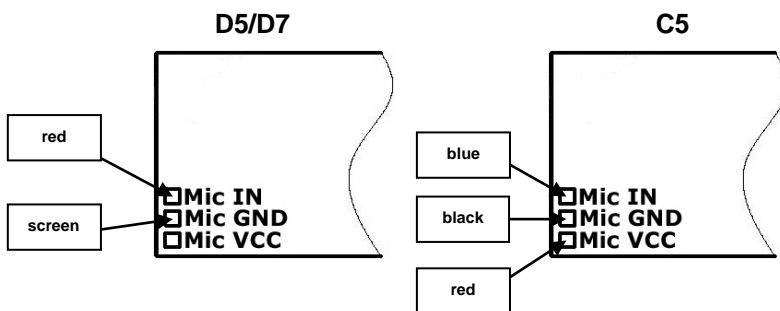
Wiring / Verkabelung



Sleeve 5 to be glued on end cap 9 after it is completely screwed onto part 4 (thread part).
 Use UHU PLUS ENDFEST 300.

Cut out of end cap 6 has to align with charging contacts!

Apply Loctite 415 to secure transducer capsule.



DHT 700 Parts list / Stückliste

Description	Pos.	Part number Bestellnummer	Quantity Stück			Bezeichnung
			C5	D5	D7	
Wire-mesh cap	1	3157M12010	1	-	-	Gitterkappe
Wire-mesh cap	1	3157M12020	-	1	-	Gitterkappe
Wire-mesh cap	1	3157M12030	-	-	1	Gitterkappe
Foam insert	2	3138Z25020	1	-	-	Innenwindschutz
Foam insert	2	3138Z25010	-	1	1	Innenwindschutz
Electret capsule C5	3	3157M15010	1	-	-	Elektretkapsel C5
Dynamik capsule D5	3	2610Z00050	-	1	-	Dynamische Kapsel D5
Dynamik capsule D7	3	2610Z00070	-	-	1	Dynamische Kapsel D7
Housing with thread	4	3157M14010	1	1	1	Gehäuse mit Gewindeteil
Battery sleeve	5	3157Z19020	1	1	1	Batteriehülse
End cap	6	3157Z20010	1	1	1	Kappe
Housing shell, upper	7	3157Z11010	1	1	1	Obere Gehäuseschale
Housing shell, lower	8	3157Z10010	1	1	1	Untere Gehäuseschale
Contact cover	9	3157Z42010	1	1	1	Kontaktabdeckung
Half ring, upper	10	3157Z21010	1	1	1	Halbring, oben
Half ring, lower	11	3157Z31010	1	1	1	Halbring, unten
Battery clamp	12	3157M10010	1	1	1	Batterieklammer
Friction	13	3157Z40010	1	1	1	Reibung
Display cover	14	3157M13010	1	1	1	Display Abdeckung
Mute button	15	3157Z14010	1	1	1	Mute Knopf
Foam	16	3157Z37010	1	1	1	Schaumstoffstück
Foam	17	3157Z38010	1	1	1	Schaumstoffstück
Display holder	19	3157Z15010	1	1	1	Displayhalter
Foam	20	3157Z28010	2	2	2	Schaumstoffstück
LCD display	21	0050E00070	1	1	1	LCD Display
On/Off button	22	3157Z16010	1	1	1	ON/Off Knopf
IR window	23	3157Z17010	1	1	1	IR Fenster
Foam	24	3157Z27010	1	1	1	Schaumstoffstück
Main board Band 1	25	3157M01010	1	1	1	Hauptprint Band1
Main board Band 2	26	3157M01020	1	1	1	Hauptprint Band 2
Antenna board Band 1	27	3157M02010	1	1	1	Antennenprint Band 1
Antenna board Band 2	27	3157M02020	1	1	1	Antennenprint Band 2
Clamp cushion	28	3157Z48010	1	1	1	Auflage
Contact support	29	3157Z47010	4	4	4	Kontaktfederung
Battery contact	30	3157Z22010	2	2	2	Batteriekontakt
Battery contact	31	3157Z23010	2	2	2	Batteriekontakt
Screw EJOT PT KB18x6	32	0099N18050	2	2	2	Schraube PT KB18x6
Screw EJOT PT KB22x8	33	0099N22140	3	3	3	Schraube PT KB22x8
Screw EJOT PT KB22x8	34	0099N22040	2	2	2	Schraube PT KB22x8
Screw EJOT PT KB25x10	35	0099N25050	1	1	1	Schraube PT KB25x10
Cable for D5 capsule	36	2548K00010	-	1	1	Kabel für D5 Kapsel
Device sticker DHT 700 D5	37	4808S10...	-	1	-	Geräteaufkleber DHT 700 D5
Device sticker DHT 700 C5	37	4809S10...	1	-	-	Geräteaufkleber DHT 700 C5
Device sticker DHT 700 D7	37	4813S10...	-	-	1	Geräteaufkleber DHT 700 D7
Standadapter SA63	-	6000H63050	1	1	1	Stativklammer
Windscreen	-	2630Z01040	1	1	1	Windschutz
Colorbandset	-	2630Z00210	1	1	1	Farbbandset
Adapter PB1000	-	2334Z05010	1	-	-	Vorsatz PB1000
				-		

Important!

For ordering the DHT700 main transmitter board we need the following information:

1. Board number: 3157M0101 for Band1 or 3157M0102 for Band2
2. Preset programming for Band2: standard, IL, IT, BY.....etc. (please see table on next page)
3. What microphone head is used: D5, D7 or C5.

Frequency band and power / Frequenzband und Leistung														
Preset--> Main board	BD1 50mW	BD1 U 50mW	BD2 10/50mW	BD2 RO 30mW	B2 NZ 10/50mW	BD2 AU 50mW	BD2 JP 10mW	BD2 TH 50mW	BD2 HK 10/20mW	BD2 KR 10mW	BD2 BY 50mW	BD2 IT 10/50mW	BD2 IL 10mW	
3157M01010	x	x	-	-	-	-	-	-	-	-	-	-	-	
3157M01020	-		x	x	x	x	x	x	x	x	x	x	x	
Device sticker D5-4808S10... C5-4809S10... D7-4813S10...	010	130	020	030	040	050	060	070	080	090	100	110	120	

To dismantle the DHT700 proceed as follows:

1. Remove Battery sleeve
2. Remove housing screws



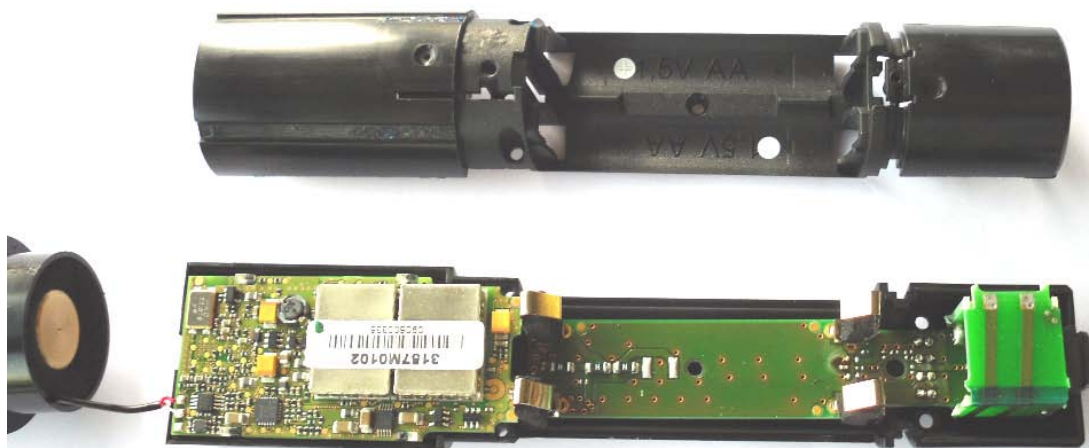
3. Remove display cover and mute button



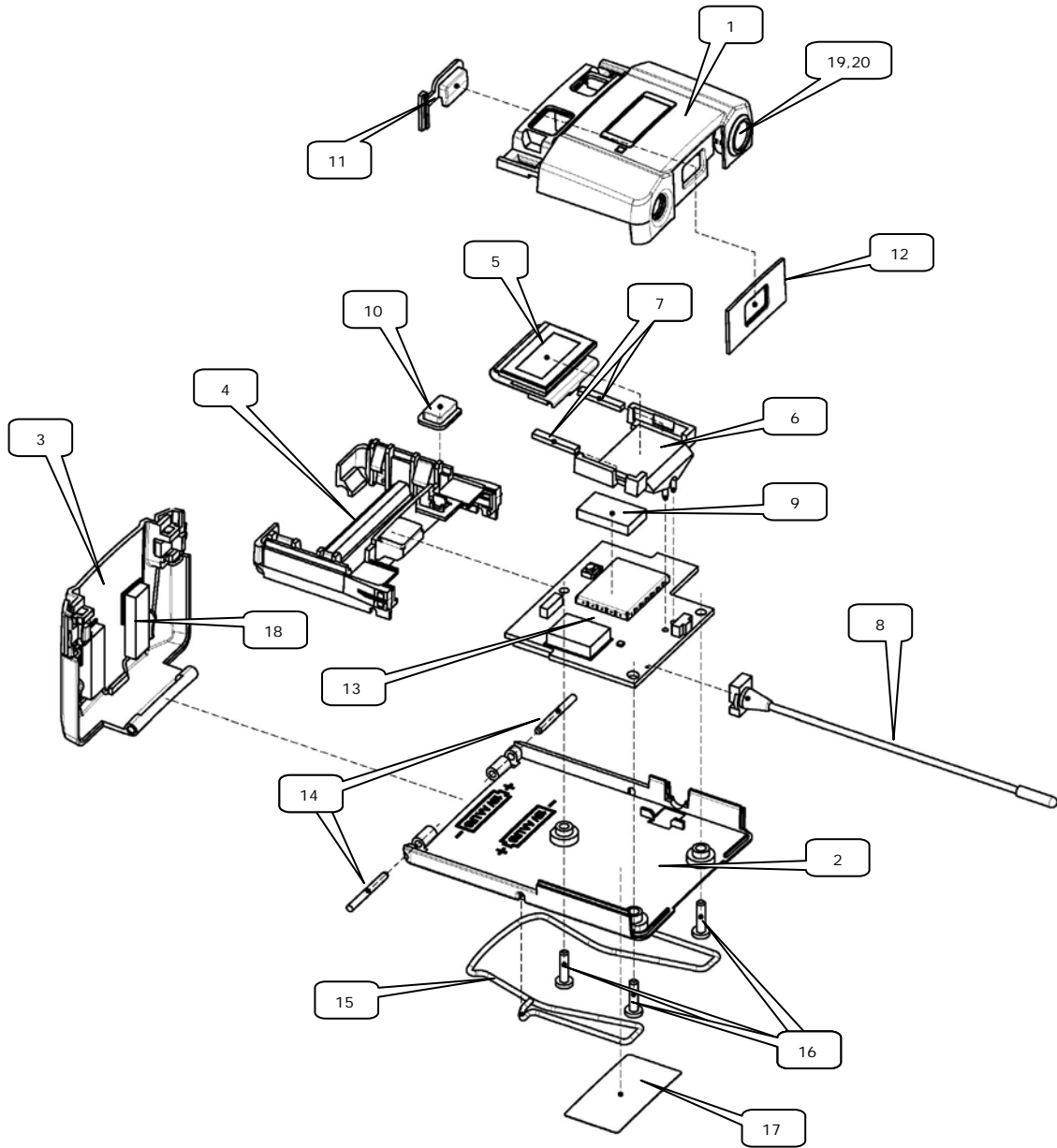
4. Remove housing



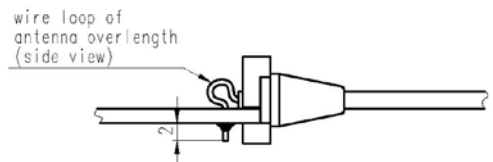
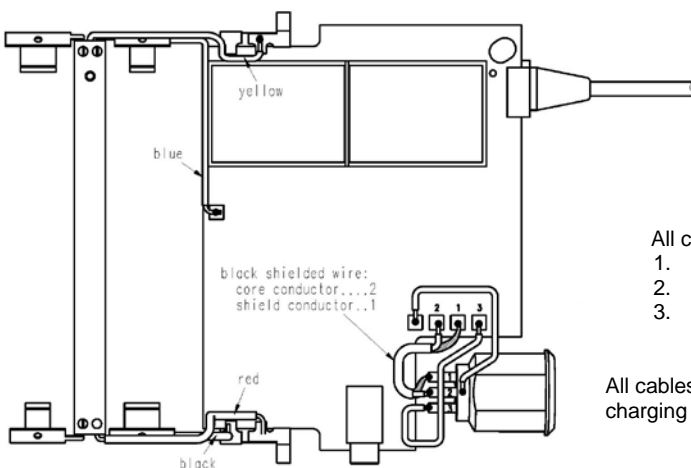
5. Open



DPT 700 D5 3156Z00...
 DPT 700V2 D5 3156Z02...



Wiring / Verkabelung



- All charging contact solder joints:
1. pre-solder related pads on pcb
 2. assemble pcb and frame assy.
 3. melt solder by heating up charging contacts with soldering tip (apply some pressure)

All cables from pcb carrier assy. To be soldered directly on charging contacts like shown in this view

DPT 700 Parts list / Stückliste

Description	Pos.	Part number Bestellnummer	Quantity Stück		Bezeichnung
			V1	V2	
Housing compl. *, upper	1	3156M11010	1	1	Gehäuseoberteil kompl.
Housing, bottom	2	3156Z11010	1	1	Gehäuseunterteil
Battery cover assy.	3	3156M14010	1	1	Batteriedeckel
Frame assy.	4	3156M12010	1	-	Rahmen kompl.
Frame assy.	4	3156M12020	-	1	Rahmen kompl.
LCD display	5	0050E00070	1	1	LCD Display
Display holder	6	3156Z17010	1	1	Displayhalter
Foam	7	3157Z28010	2	1	Schaumstoffstück
Antenna assy. Band 1	8	3156M10020	1	1	Antenne kompl. Band 1
Antenna assy. Band 2	8	3156M10010	1	1	Antenne kompl. Band 2
Foam	9	2932Z34010	1	1	Schaumstoffstück
On/Off button	10	3156Z18010	1	1	On/Off Knopf
Mute button	11	3156Z19010	1	1	Mute Knopf
Cover	12	3156Z20010	1	1	Abdeckung
Mainboard Band 1	13	3156M01010	1	1	Hauptprint Band 1
Mainboard Band 2	13	3156M01020	1	1	Hauptprint Band 2
Bolt, DIN7 2h8 x 20mm	14	0007D20050	2	2	Stift, DIN7 2h8 x 20mm
Belt clip	15	3156Z25010	1	1	Gürtelklammer
Screw, M2.5x10	16	7045D26030	3	3	Schraube, M2.5x10
Device sticker	17	4807S00...	1	-	Geräteaufkleber
Device sticker	17	4807S12...	-	1	Geräteaufkleber
Foam	18	2932Z21010	2	2	Schaumstoffstück
Mini-XLR socket	19	0016E03710	1	1	Mini-XLR Buchse
Nut for Mini-XLR socket	20	2781Z20020	1	1	Mutter für Mini-XLR Buchse

* Housing compl. upper includes display window and Mini-XLR socket.

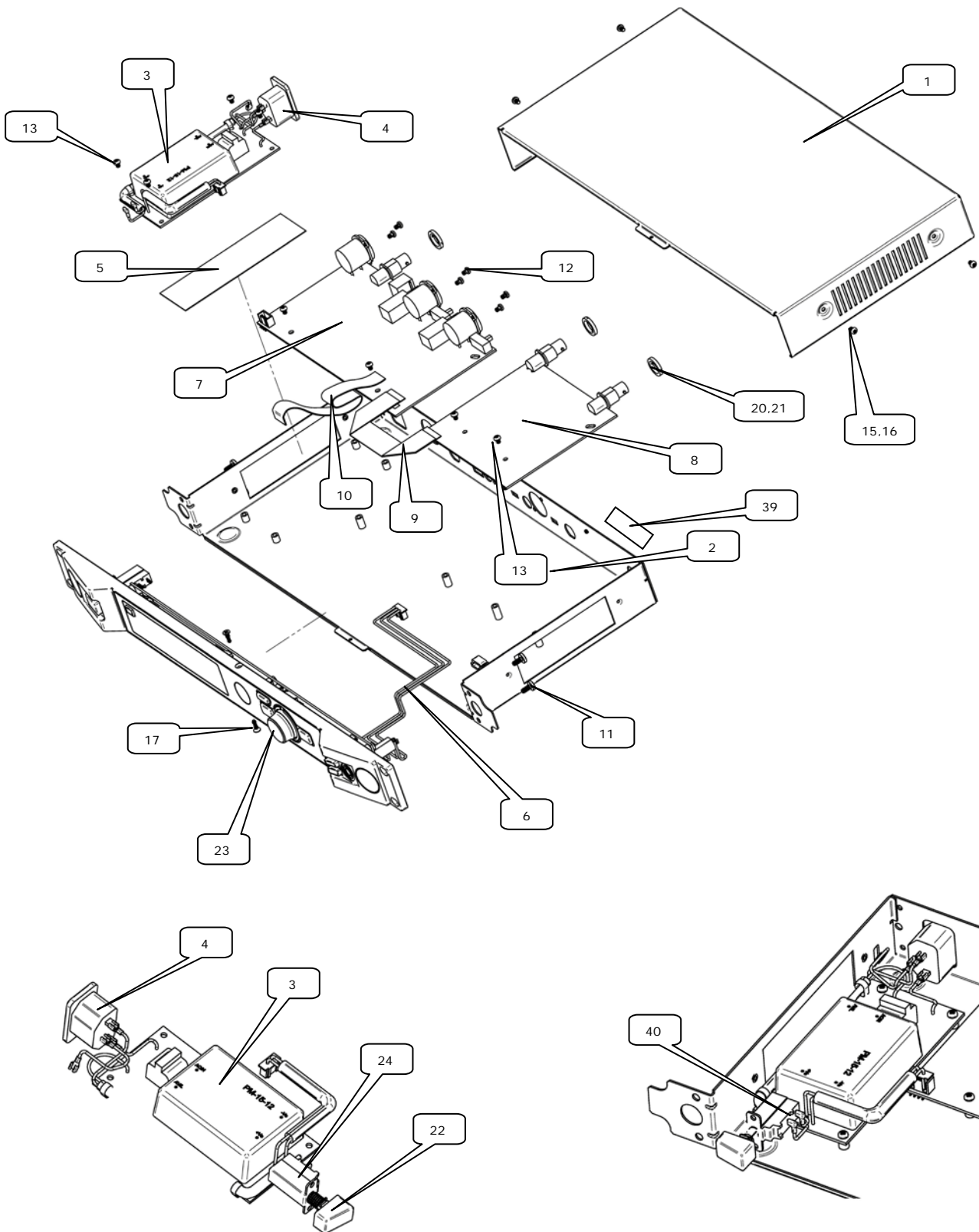
Important!

For ordering the DPT700 main transmitter board we need the following information:

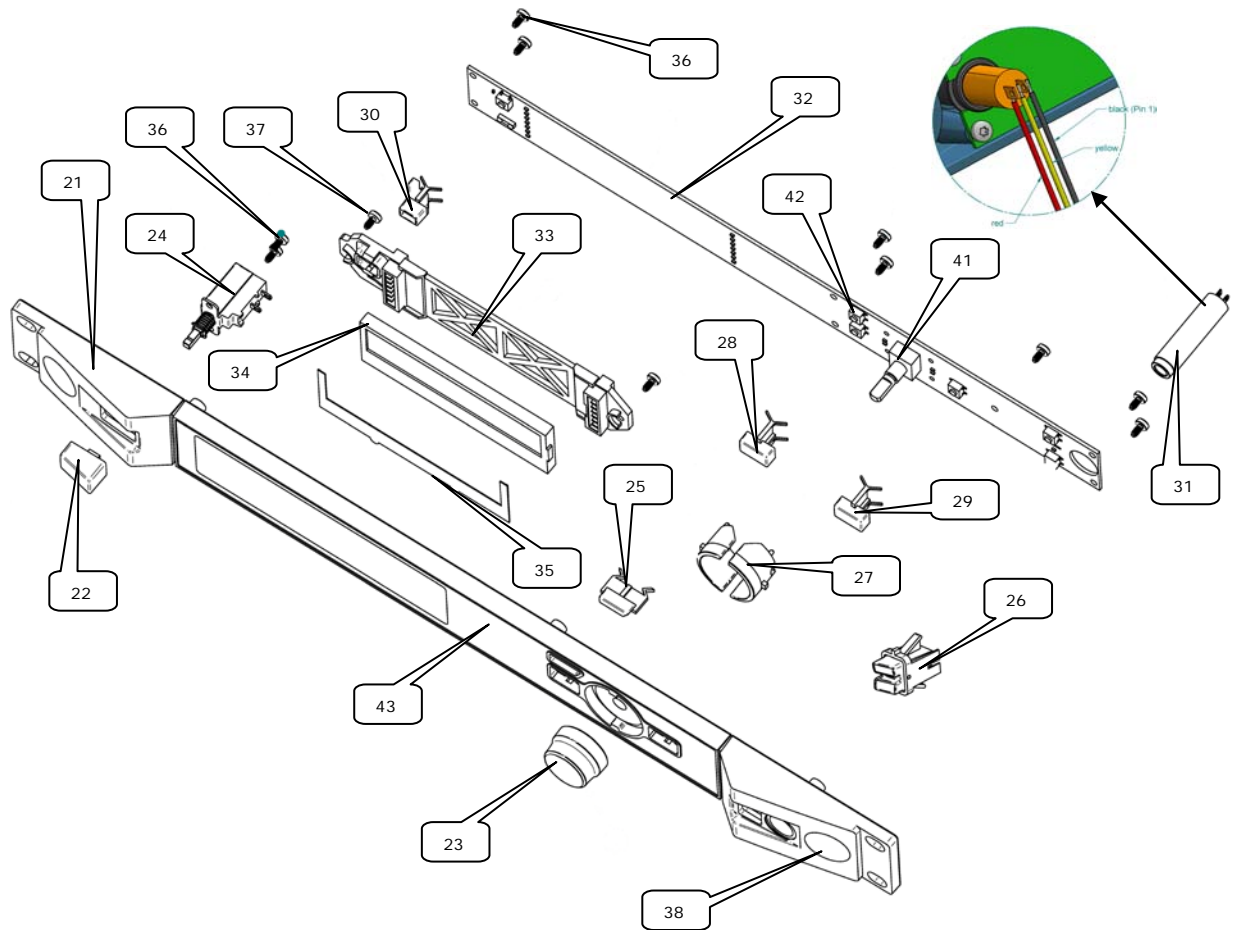
- Board number: 3156M0101 for Band1 or 3156M0102 for Band2, V1 or V2.
- Preset programming for Band1: BD1 or BD1U (please see below table)
- Preset programming for Band2: IL, IT, BY.....etc.(please see below table)

Frequency band and power / Frequenzband und Leistung														
Preset--> Main board	BD1 50mW	BD1 U 50mW	BD2 10/50mW	BD2 RO 30mW	B2 NZ 10/50mW	BD2 AU 50mW	BD2 JP 10mW	BD2 TH 50mW	BD2 HK 10/20mW	BD2 KR 10mW	BD2 BY 50mW	BD2 IT 10/50mW	BD2 IL 10mW	
3156M01010	x	x	-	-	-	-	-	-	-	-	-	-	-	
3156M01020	-		x	x	x	x	x	x	x	x	x	x	x	
Device sticker V1 4807S00... V2 4807S12...	010	130	020	030	040	050	060	070	080	090	100	110	120	

DSR 700 3155Z00...



Frontpanel



DSR 700 Parts list / Stückliste

Description	Pos.	Part number Bestellnummer	Quantity Stück		Bezeichnung
			V1	V2	
Housing, upper	1	3155Z11010	1	1	Gehäuseoberteil
Housing, bottom	2	3155M10010	1	1	Gehäuseunterteil
Power supply unit	3	3155M04010	1	1	Netzteil
IEC power socket	4	0017E15070	1	1	IEC Einbaustecker
Isolation plate	5	3155Z45010	2	1	Isolationplatte
Cable assy.	6	0110E03220	1	1	Kabel
DSP Main board	7	3155M02010	1	-	DSP Hauptprint
DSP Main board	7	3155M06010	-	1	DSP Hauptprint
RF board Band 1	8	3155M05010	1	1	HF Print Band 1
RF board Band 2	8	3155M05020	1	1	HF Print Band 2
Data cable	9	0016E18240	1	1	Datenkabel
Data cable	10	0016E18230	1	1	Datenkabel
Screw EJOT PT DG 40x8	11	0099N40040	4	4	Schraube EJOT PT DG 40x8
Screw EJOT PT KB 30x8	12	0099N30080	6	6	Schraube EJOT PT KB 30x8
Screw M3x8	13	7985D30010	8	8	Schraube M3x8
Screw B2,9x6,5	15	7981D29070	7	7	Schraube B2,9x6,5
Lockwasher	16	0128D03000	7	7	Sicherungsscheibe
Screw EJOT PT DG 30x8	17	9999N07810	2	2	Schraube EJOT PT DG 30x8
Lockwasher	18	9999N06050	3	3	Sicherungsscheibe
BNC nut	19	2841Z10010	3	3	BNC Mutter
Front panel	21	3155M20010	1	-	Frontplatte
Front panel	21	3155M20020	-	1	Frontplatte
"Power" button	22	3155Z23010	1	1	"Power" Knopf
Jog-button	23	3155M21010	1	1	Jog-Knopf
Power switch	24	0040E06460	1	1	Hauptschalter
"Back" button	25	3155Z26010	1	1	"Back" Knopf
Rocker-switch assy.	26	3155M22010	1	1	Rocker-Schalter assy.
Light guide	27	3155Z27010	2	2	Lichtleiter
"Channel" button, left	28	3155Z25010	1	1	"Channel" Knopf, links
"Channel" button, right	29	3155Z25020	1	1	"Channel" Knopf, rechts
"FX" button	30	3155M23010	1	1	"FX" Knopf
Headphone socket 6,3mm	31	0017E03600	1	1	Kopfhörerbuchse 6,3mm
Front board assy.	32	3155M03010	1	1	Front Print assy.
Display holder	33	3155M24010	1	1	Displayhalter
LCD display	34	0050E00080	1	1	LCD Display
Display gasket	35	3155Z33010	1	1	Displaydichtung
Screw EJOT PT DG 30x8	36	0099N30180	9	9	Schraube EJOT PT DG 30x8
Screw EJOT PT DG 30x6	37	0099N30150	2	2	Schraube EJOT PT DG 30x6
Cover part	38	3155Z36010	2	2	Abdeckung
Device sticker	39	4810S00 ...	1	-	Geräteaufkleber
Device sticker	39	4810S12 ...	-	1	Geräteaufkleber
Grommet	40	7261N30040	2	2	Tülle
Jog dial switch	41	0040E06500	1	1	Dreh-Drück-Schalter
Push switch	42	9040E00160	6	6	Drückschalter
Self-adhesive front foil	43	3155Z30010	1	-	Selbstklebende Frontfolie
Self-adhesive front foil	43	3155Z30020	-	1	Selbstklebende Frontfolie
Antenna Bd1 (long)	-	9999N07440	2	2	Antenne Bd1 (lang)
Antenna Bd2 (short)	-	9999N07450	2	2	Antenne Bd2 (kurz)
Mains cable EU	-	0110E03160	1	1	Netzkabel EU
Mains cable US	-	0110E03170	1	1	Netzkabel US

Always make a firmware update after DSP, RF, or display pcb has been replaced.

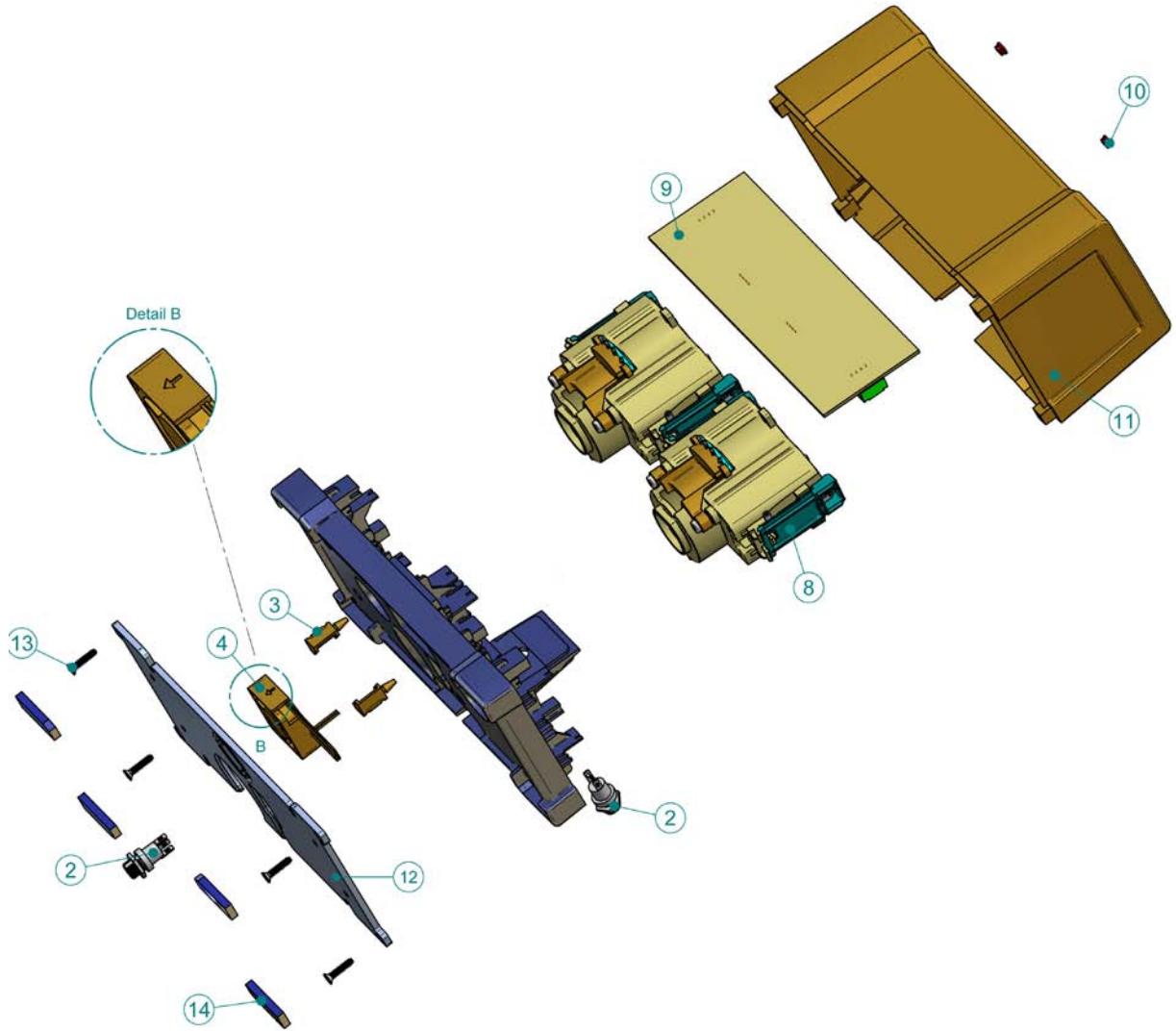
Important!

For ordering the DSR 700 front board we need following information

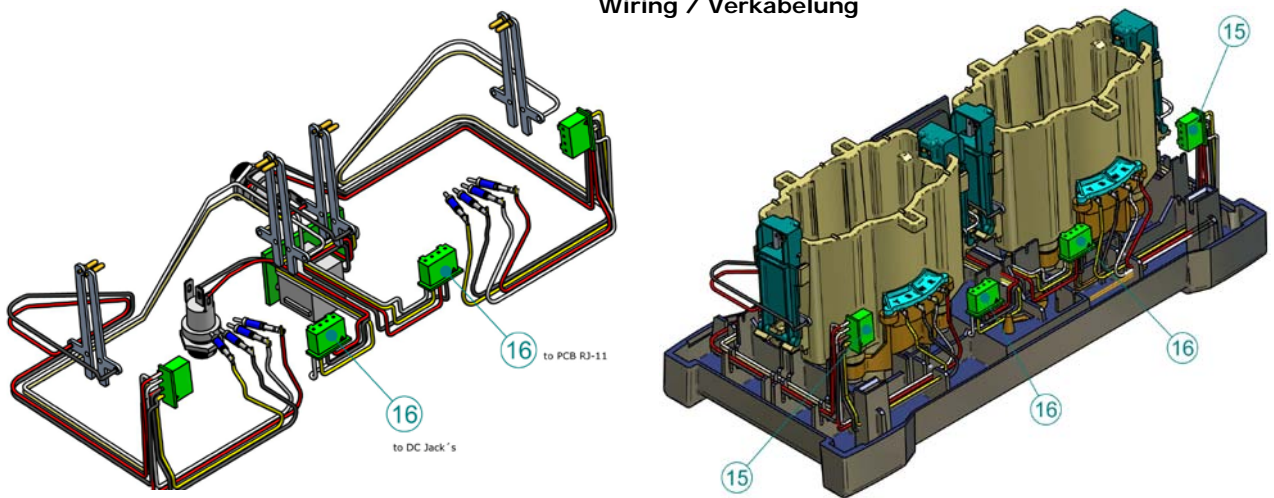
- Preset programming: Bd1, Bd2, BD2/IL, BD2/IT...etc. (please see table below)

Frequency band / Frequenzband																
Preset--> Front board	BD1	BD1 U	BD2	BD2 RO	B2 NZ	BD2 AU	BD2 JP	BD2 TH	BD2 HK	BD2 KR	BD2 BY	BD2 IT	BD2 IL			
3155M03010	x	x	x	x	x	x	x	x	x	x	x	x	x			
Device sticker V1 4810S00... V2 4810S12...	010	130	020	030	040	050	060	070	080	090	100	110	120			

CU 700 3158Z00010



Wiring / Verkabelung



CU 700 Parts list / Stückliste

<i>Description</i>	<i>Pos.</i>	<i>Part number Bestellnummer</i>	<i>Quantity Stück</i>	<i>Bezeichnung</i>
Housing bottom	1	3158Z12010	1	Gehäuseunterteil
DC-Jack socket	2	0016E03760	2	DC-Buchse
Fan holder	3	3158Z23010	2	Lüfterhalter
Fan	4	0027E00710	1	Lüfter
Insert part assy.	8	3158M11120	2	Einsteckteil
Main board	9	3158M01010	1	Hauptprint
Light guide	10	3158Z13010	2	Lichtleiter
Housing top	11	3158Z10010	1	Gehäuseoberteil
Metall plate	12	3158Z21010	1	Metallplatte
Screw EJOT PT KB 30x12	13	0099N30170	4	Schraube EJOT PT KB 30x12
Housing foot	14	3158Z24010	4	Gehäusefuß
Cable assy.	15	3158M15010	2	Kabel kompl.
Cable assy.	16	3158M16010	2	Kabel kompl.
Rechargeable battery, packing unit 4 pcs.	-	0026E00270	4	Akkus, Verpackungseinheit 4Stk.
Power supply 12V/1,5A EU,UK,US	-	0027E00750	1	Netzteil 12V/1,5A EU,UK,US
Power supply 12V/1,5A EU,UK,US *	-	0027E00830*	1	Netzteil 12V/1,5A EU,UK,US *

*Power supply (Level 5) not yet available

*Netzteil (Level 5) noch nicht erhältlich