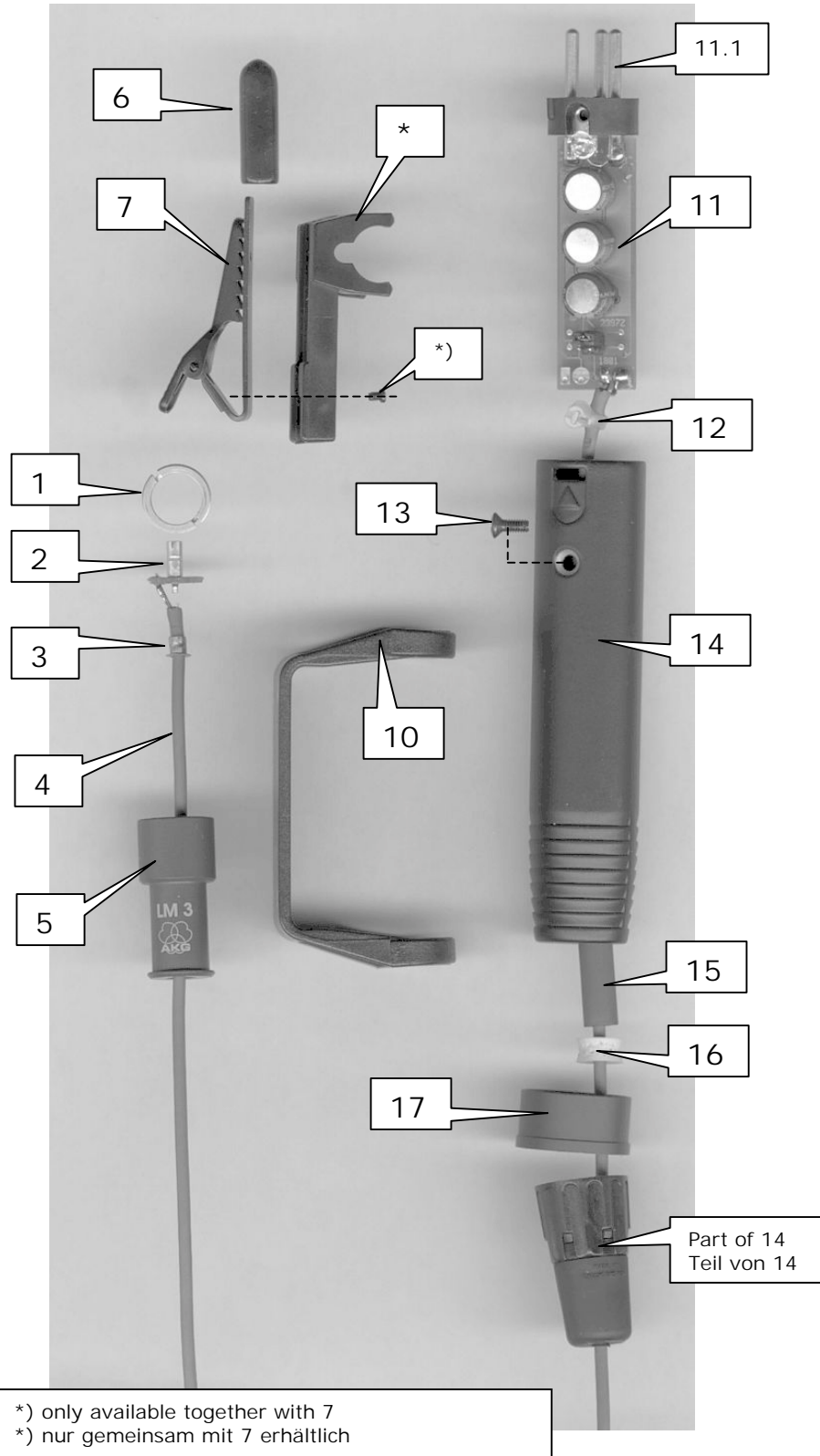


Clip-on-Module

Lavaliermodul

LM3 2765Z0015: A  
LM3 L 2735Z0016: B



Clip-on-Module

Lavaliermodul

LM3 2765Z0015: A

LM3 L 2735Z0016: B

| Description   | Pos. | Part Nbr.<br>Best.-Nr. | Quant.<br>Stk. |          | Bezeichnung   |
|---|------|------------------------|----------------|----------|---|
|   |      |                        | A              | B        |   |
| Retaining ring                                      | 1    | 2765Z1201              | 1              | 1        | Fixierring  |
| Board, complete                                     | 2    | 2765M0302              | 1              | 1        | Print, komplett   |
| Tension relief                                      | 3    | 7340D3004              | 1              | 1        | Zugentlastung   |
| Cable (only available in multiples of whole meters) | 4    | 1801Z7701              | 1,5<br>m       | 1,5<br>m | Kabel (nur als Vielfaches gan-<br>zer Meter erhältlich) |
| Housing   | 5    | 2765Z2601              | 1              | 1        | Gehäuse   |
| Sleeve  | 6    | 9999N0582              | 1              | 1        | Hülse   |
| Clip H31  | 7    | 6001H0010              | 1              | 1        | Klammer H31   |
| Holder H39  | 10   | 2096Z0002              | 1              | -        | Halterung H39   |
| Phantom power board, complete                       | 11   | 2397M1201              | 1              | -        | Phantomspeseprint, kpl.                                 |
| XLR – connector insert                              | 11.1 | 0016E0346              | 1              | -        | XLR - Steckereinsatz                                    |
| Cable tie   | 12   | 1000N0014              | 1              | -        | Kabelbinder   |
| Screw M2,5 x 6                                      | 13   | 0966D2500              | 1              | -        | Schraube M2,5 x 6                                       |
| Housing   | 14   | 0019E0129              | 1              | -        | Gehäuse   |
| Ferrite core  | 15   | 0023E0082              | 1              | -        | Ferritkern  |
| Ring  | 16   | 2690Z0501              | 1              | -        | Ring  |
| Sleeve  | 17   | 2441Z3901              | 1              | -        | Hülse   |
| Connector   | --   | 0017E0340              | -              | 1        | Stecker   |

**LM3 L Connector wiring:**

- 1 ... Ground / cable shield
- 2 ... Audio
- 3 ... dc bias
- (2 and 3 bridged)

**LM3 L Steckerbeschaltung:**

- 1 ... Masse / Kabelschirm
- 2 ... Audio
- 3 ... Speisespannung
- (2 und 3 verbunden)