



H A Harman International Company

C 562 CM

Boundary Layer Microphone

Description

The C 562 CM offers the inherent features of a boundary layer microphone: 6-dB higher sensitivity and elimination of comb filter effects when mounted in a large reflecting surface. Its response is uniform to 20kHz, and the polar pattern is omnidirectional. A-weighted signal-to-noise ratio is a remarkable 78 dB.

The microphone's small size makes it ideal for flush-mount installation in any plane surface in a performing environment, including ceilings, walls and stage sets. Its 10 ft. (3 m) attached cable terminates in a 0.125 in. (3.5 mm) male jack, which fits through a 0.5 in. (12.7 mm) mounting hole. An accompanying phantom power adapter provides an electronically balanced low impedance output via a 3-pin XLR-M connector.

Specifications

| | |
|---|---|
| Transducer Principle: | Condenser prepolarized |
| Frequency Range: | 20-20,000 Hz |
| Polar Pattern: | Omnidirectional |
| Sensitivity at 1,000 Hz: | 25 mV/Pa (-34 dBV) |
| Equivalent Noise Level: | < 16 dB-A |
| Sound Pressure Level for 1% THD: | 130 dB |
| S/N Ratio (A-weighted): | > 78 dB |
| Electr. Impedance: | < 600 ohms |
| Load Impedance: | > 2000 ohms |
| Power Requirement: | 9-52 volts phantom powering |
| Connector: | 3-Pin XLR-type |
| Cable Length: | 10 ft. (3 m) |
| Finish: | Satin nickel |
| Size: | 0.8 in.dia./1.1 in. length (20 mm dia./28 mm length) |
| Net/Shipping Weight: | 1.1/6.9 oz. (30 g/195 g) |
| Special Features/Applications: | Boundary layer microphone |
| Included Accessories: | Phantom power adapter |
| Optional Accessories: | B 18 Battery power supply |



Features

- Small & inconspicuous
- Wide frequency range
- High sensitivity

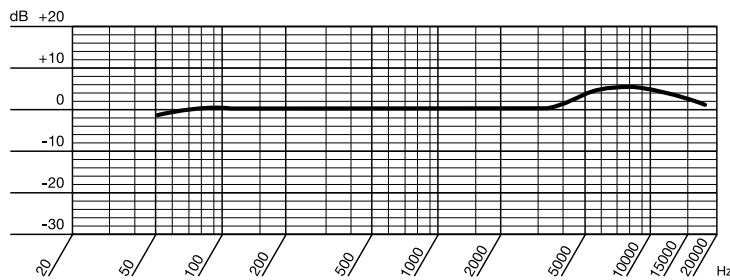
Architects and Engineers Specifications

The microphone shall be an omnidirectional design suitable for inconspicuous flush mounting in ceilings, walls, and stage sets, with an attached cable terminating in a 0.125 in. (3.5 mm) male jack which threads through the 0.5 in. (12.7 mm) mounting hole of the microphone assembly. The diameter of the exposed portion of the microphone shall be no greater than 0.8 in. (20 mm). The

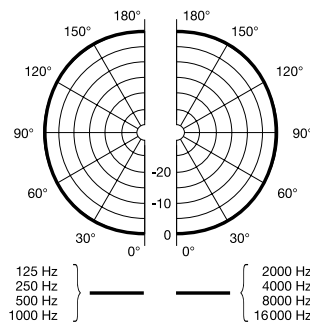
microphone shall have a sensitivity no less than 25 mV/Pa, and the total harmonic distortion (THD) at an acoustical operating level of 130 dB shall not be greater than 1%. Equivalent noise floor of the microphone shall be no greater than 16 dB-A, and the microphone shall accept phantom powering over the range from 9 to 52 volts dc. The microphone shall be the AKG Acoustics Model C 562 CM.

Graphical Data

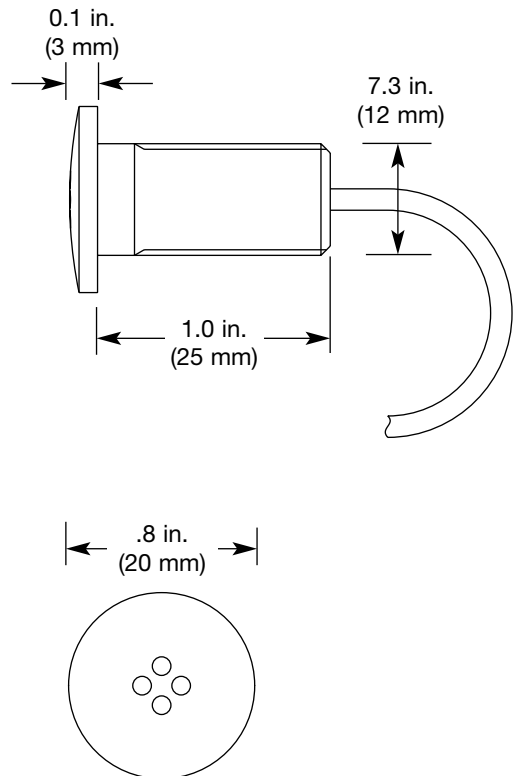
On-axis Frequency Response (measured at 1 meter)



Polar Response



Mounting Data



AKG is constantly improving and modifying its products, therefore, specifications are subject to change without notice.

Limited Warranty

Valid only in the United States. AKG Acoustics warrants AKG products against defects in material or workmanship for a period of two years from the date of original purchase for use, and agrees to repair or, at our option, replace any defective unit without charge for either parts or labor. Important: This warranty does not cover damage resulting from accident, misuse or abuse, lack of reasonable care, the affixing of any attachment not provided with the product, loss of parts or connecting the product to any but the specified receptacles. This warranty is void unless service or repairs are performed by an authorized service center. No responsibility is assumed for any special, incidental

or consequential damages. However, the limitation of any right or remedy shall not be effective where such is prohibited or restricted by law. Simply take or ship your AKG product prepaid to our service department. Be sure to include your sales slip as proof of purchase date. (We will not repair transit damage under the no-charge terms of this warranty.) Note: No other warranty, written or oral is authorized by AKG Acoustics, Inc. This warranty gives you specific legal rights, and you may also have other rights which vary from state to state. Some states do not allow the exclusion or limitation of incidental or consequential damages or limitation on how long an implied warranty lasts, so the above exclusions and limitation may not apply to you.

Microphones · Headphones · Wireless Microphones · Wireless Headphones · Headsets · Electroacoustical Components



H A Harman International Company

AKG Acoustics GmbH
Lemböckgasse 21-25, P.O.B. 158, A-1230
Vienna/AUSTRIA
Tel: (43 1) 86 654-0*, Fax: (43 1) 86 654-516
Internet: <http://www.akg.com>

AKG Acoustics; A Division of Harman Pro Germany
Bodenseestraße 228, D-81243 München/GERMANY
Tel: (089) 87 16-0, Fax: (089) 87 16-200

Arbiter Pro Audio
Wilberforce Road, London NW9 6AX/ENGLAND
Tel: (0181) 202 1199, Fax: (0181) 202 7076

AKG ACOUSTICS, U.S.
914 Airpark Center Drive
Nashville, TN 37217, U.S.A.
Tel: (615) 620-3800, Fax: (615) 620-3875

Studer Japan Ltd.
2-43-7, Uehara, Shibuya-ku, Tokyo 151-0064/JAPAN
Tel: (813) 3465-2211, Fax: (813) 3465-2214

Erikson Pro Audio
620 McCaffrey, St-Laurent, Quebec, H4T 1N1, CANADA
Tel: (514) 738-3000, Fax: (514) 737-5069
Internet: www.jam-ind.com/eriksonpro