



H A Harman International Company

LM 3 / LM 3 L

Lavalier Modules

Description

The LM 3 and LM 3 L lavalier modules provide new flexibility in personal, clip-on microphone applications. Both modules give the user a choice of the Discreet Series capsules CK 31, 32, 33, 47 or 80, and the tie bar clip allows the assembly to be oriented in four possible positions.

The LM 3 assembly terminates in a 3-pin XLR connector which accepts phantom power from a remote source over the range from 9 to 52 volts. A bass roll-off is available in the phantom power adapter (DPA). The LM 3 L assembly terminates in a miniature 3-pin XLR connector which can be fed to the PT 40, 61, 80 or 81 wireless pocket transmitters. Both assemblies have cable lengths of 5 feet (1.5 m) for maximum flexibility in wearing.



Specifications

Bass cut filter:	250 Hz; -10 dB at 50 Hz
Output impedance:	<600 ohms
Recommended load impedance:	>2000 ohms
Power requirement:	LM 3: 9 - 52 V phantom power LM 3 L: 1.5 - 10 V phantom power
Current consumption:	<2 mA
Output connector:	LM 3: 3-pin XLR LM 3 L: miniature 3-pin XLR
Cable length:	5 ft. (1.5 m)
Finish:	matte dark gray
Size:	1.2 in. (27 mm)
Net/shipping weight:	LM 3 - 0.18/5.5 oz. (5/157 g) LM 3 L - 0.18/3.4 oz. (5/96 g)
Standard accessories:	H 31 lavalier clip
Optional accessories:	B 18 battery power supply MPAIII L phantom power adapter B 29 L battery power supply/mixer

Features

- Provides new flexibility for Discreet Series capsules in lavalier applications
- Tie bar clip offers four possible orientations of the capsule
- Integrated bass roll-off
- Can be used in both wired and wireless applications

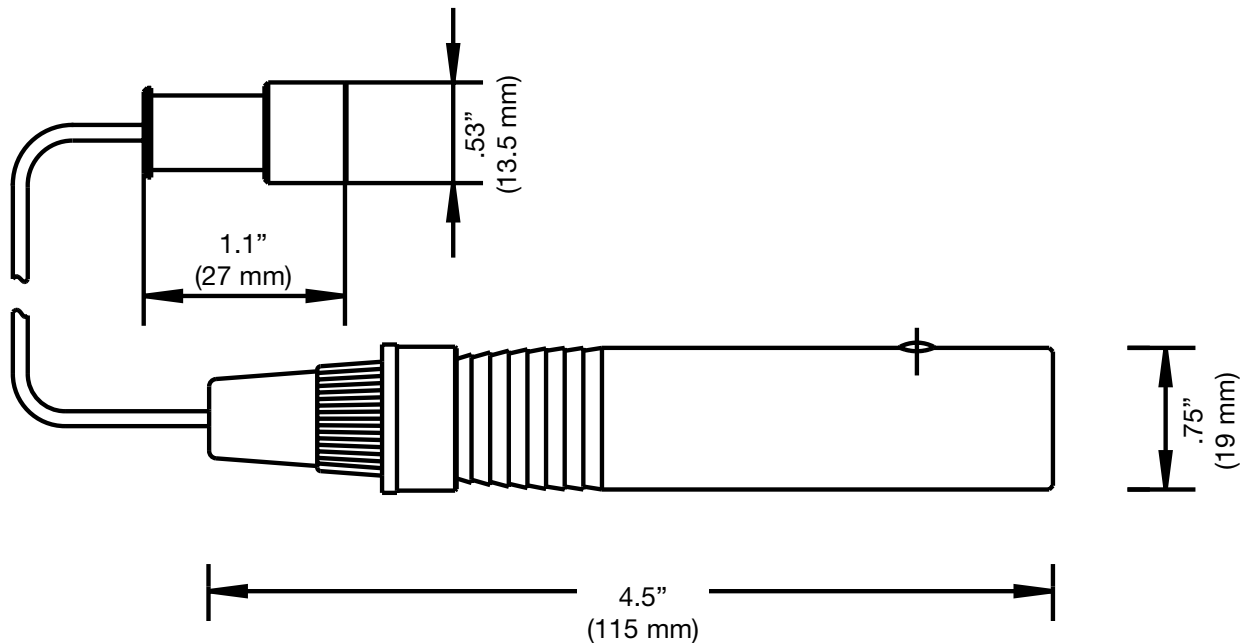
Architects and Engineers Specifications

The lavalier module shall accommodate at least five capsules with the following fixed patterns: cardioid, omnidirectional and hypercardioid. For a fixed position of the tie bar clip, the mounting shall provide at least four [detented] orientations of the microphone capsule. The module shall provide switchable bass cut at 250 Hz (-10 dB at 50 Hz).

The cable shall be no less than 5 feet (1.5 m) and shall terminate in a: 3-pin XLR, which accepts powering over the range from 9 to 52 volts (LM 3 model), 3-pin miniature XLR, which accepts powering over the range from 1.5 to 10 volts (LM 3 L model).

The lavalier module shall be the AKG Acoustics Models LM 3 (LM 3 L).

Graphical Data



AKG is constantly improving and modifying its products, therefore, specifications are subject to change without notice.

Limited Warranty

Valid only in the United States. AKG Acoustics warrants AKG products against defects in material or workmanship for a period of two years from the date of original purchase for use, and agrees to repair or, at our option, replace any defective unit without charge for either parts or labor. Important: This warranty does not cover damage resulting from accident, misuse or abuse, lack of reasonable care, the affixing of any attachment not provided with the product, loss of parts or connecting the product to any but the specified receptacles. This warranty is void unless service or repairs are performed by an authorized service center. No responsibility is assumed for any special, incidental

or consequential damages. However, the limitation of any right or remedy shall not be effective where such is prohibited or restricted by law. Simply take or ship your AKG product prepaid to our service department. Be sure to include your sales slip as proof of purchase date. (We will not repair transit damage under the no-charge terms of this warranty.) Note: No other warranty, written or oral is authorized by AKG Acoustics, Inc. This warranty gives you specific legal rights, and you may also have other rights which vary from state to state. Some states do not allow the exclusion or limitation of incidental or consequential damages or limitation on how long an implied warranty lasts, so the above exclusions and limitation may not apply to you.

Microphones · Headphones · Wireless Microphones · Wireless Headphones · Headsets · Electroacoustical Components



H A Harman International Company

AKG Acoustics GmbH
Lemböckgasse 21-25, P.O.B. 158, A-1230
Vienna/AUSTRIA
Tel: (43 1) 86 654-0*, Fax: (43 1) 86 654-516
Internet: <http://www.akg.com>

AKG Acoustics; A Division of Harman Pro Germany
Bodenseestraße 228, D-81243 München/GERMANY
Tel: (089) 87 16-0, Fax: (089) 87 16-200

Arbiter Pro Audio
Wilberforce Road, London NW9 6AX/ENGLAND
Tel: (0181) 202 1199, Fax: (0181) 202 7076

AKG ACOUSTICS, U.S.
914 Airpark Center Drive
Nashville, TN 37217, U.S.A.
Tel: (615) 620-3800, Fax: (615) 620-3875

Studer Japan Ltd.
2-43-7, Uehara, Shibuya-ku, Tokyo 151-0064/JAPAN
Tel: (813) 3465-2211, Fax: (813) 3465-2214

Erikson Pro Audio
620 McCaffrey, St-Laurent, Quebec, H4T 1N1, CANADA
Tel: (514) 738-3000, Fax: (514) 737-5069
Internet: www.jam-ind.com/eriksonpro